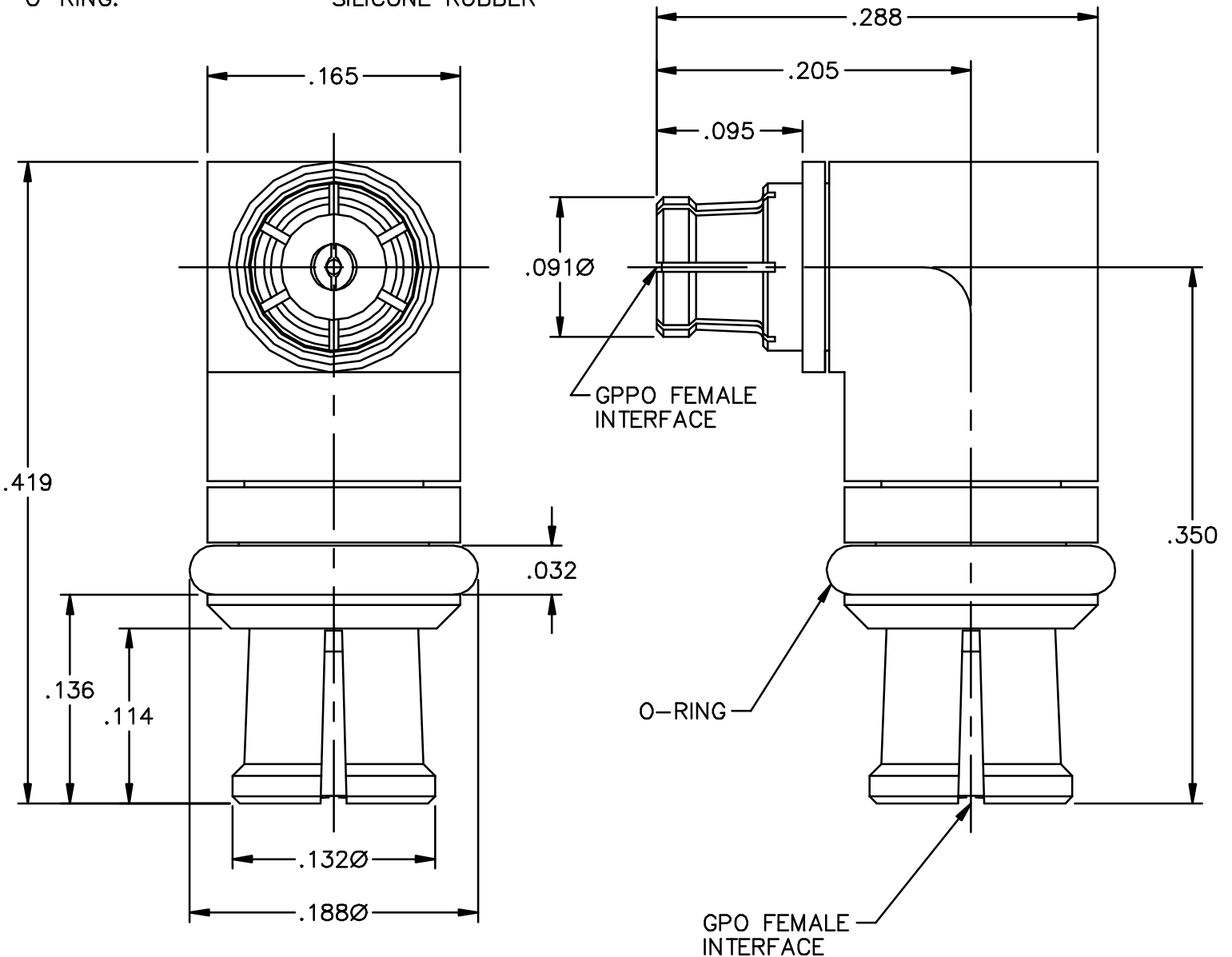
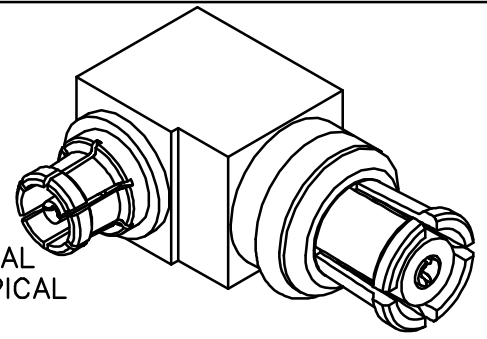


CATALOG NUMBER

1B1A1-1509-01

MATERIAL AND FINISH

R/A HOUSING: CRES 303; PASSIVATED
 CENTER CONTACT, R/A CONTACT, GPPO AND GPO HOUSINGS: BeCu; GOLD PLATE 75 MICRINCHES TYPICAL OVER NICKEL PLATE 100 MICRINCHES TYPICAL
 DIELECTRICS: VIRGIN PTFE
 O-RING: SILICONE RUBBER



CAUTION: THIS TECHNOLOGY UNDER U.S. EXPORT CONTROL

This drawing and any data contained herein is the property of Corning Gilbert Inc., and constitutes and contains proprietary and confidential information. Neither receipt nor possession of this drawing confers or transfers any right to duplicate, use or disclose any information contained herein except as expressly authorized by Corning Gilbert Inc.

GPPO FEMALE TO GPO FEMALE
 SWEEP R/A ADAPTER

IDENT CODE:
 82316

REVISION: C

Corning Gilbert Inc.

SOURCE FILE: SK-3568

DWG. NO.: OL-1B1A1-1509-01

ASSY. PROC.: -