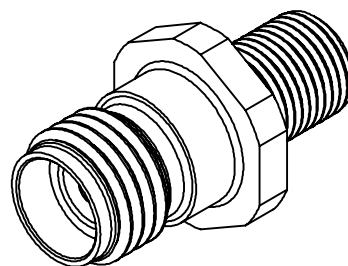


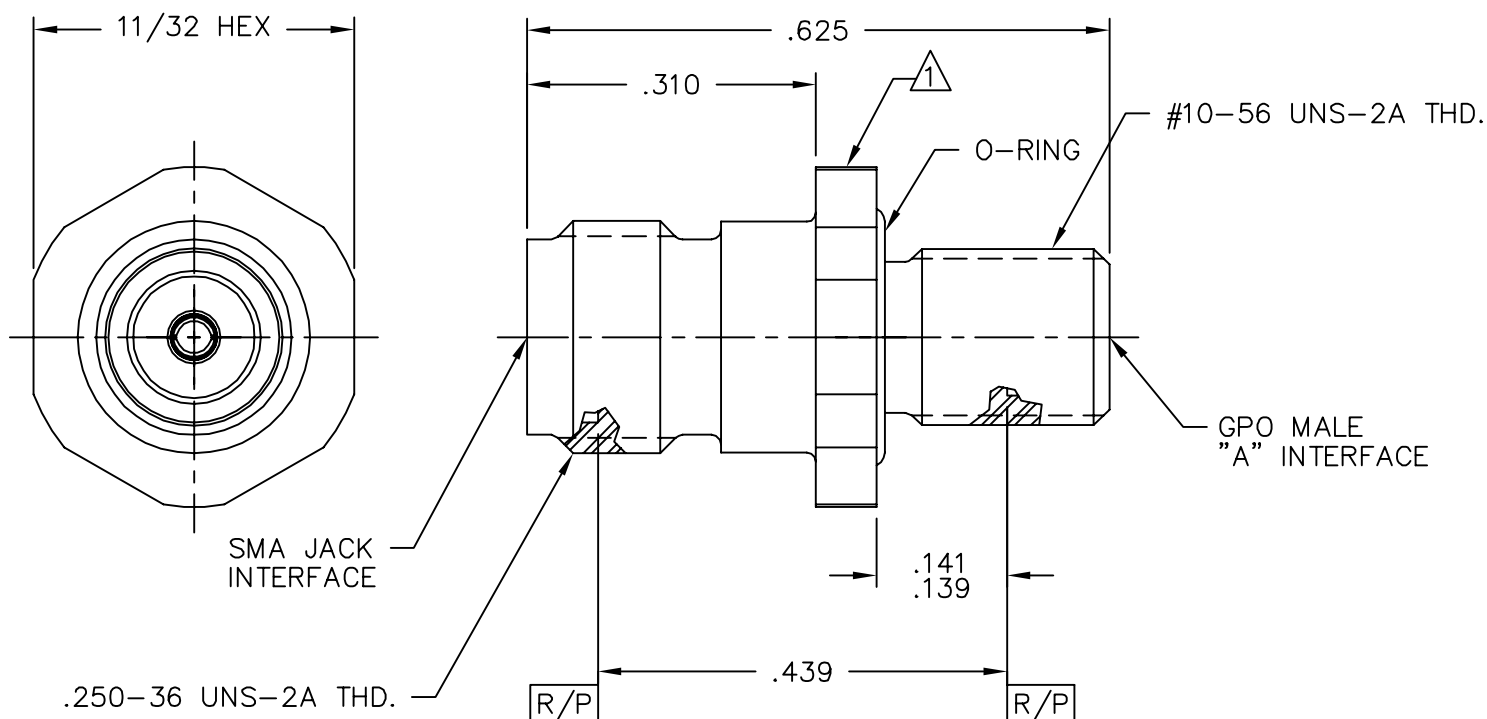
CATALOG NUMBER	PART REV.	"A" INTERFACE
1A3F1-0523-05	D	FULL DETENT
1A4F1-0523-05	A	LIMITED DETENT
1A5F1-0523-05	A	SMOOTH BORE



00219-119-3-LD is Identical to 1A4F1-0523-05

MATERIAL AND FINISH

SHROUD: CRES 303; PASSIVATED
 CENTER CONTACT: BeCu; GOLD PLATE 75 MICRONS TYPICAL OVER NICKEL PLATE 100 MICRONS TYPICAL
 DIELECTRIC: VIRGIN PTFE
 O-RING: SILICONE RUBBER



NOTES:

Δ TORQUE TO 10 TO 12 IN/LBS.

This drawing and any data contained herein is the property of Corning Gilbert Inc., and constitutes and contains proprietary and confidential information. Neither receipt nor possession of this drawing confers or transfers any right to duplicate, use or disclose any information contained herein except as expressly authorized by Corning Gilbert Inc.

GPO MALE TO SMA JACK
 THREAD-IN ADAPTER
 (TAB DETENT)

IDENT CODE:

82316

REVISION: D

Corning Gilbert Inc.

SOURCE FILE: MECR# 385

DWG. NO.: OL-1AXF1-0523-05

ASSY. PROC.: -