

This drawing and any data contained therein is the property of Gilbert Engineering Co., Inc., and constitutes and contains proprietary and confidential information. Neither receipt nor possession of this drawing confers or transfers any right to duplicate, use, or disclose any information contained herein except as expressly authorized by Gilbert Engineering Co., Inc.

OCS PLM CONTROLLED

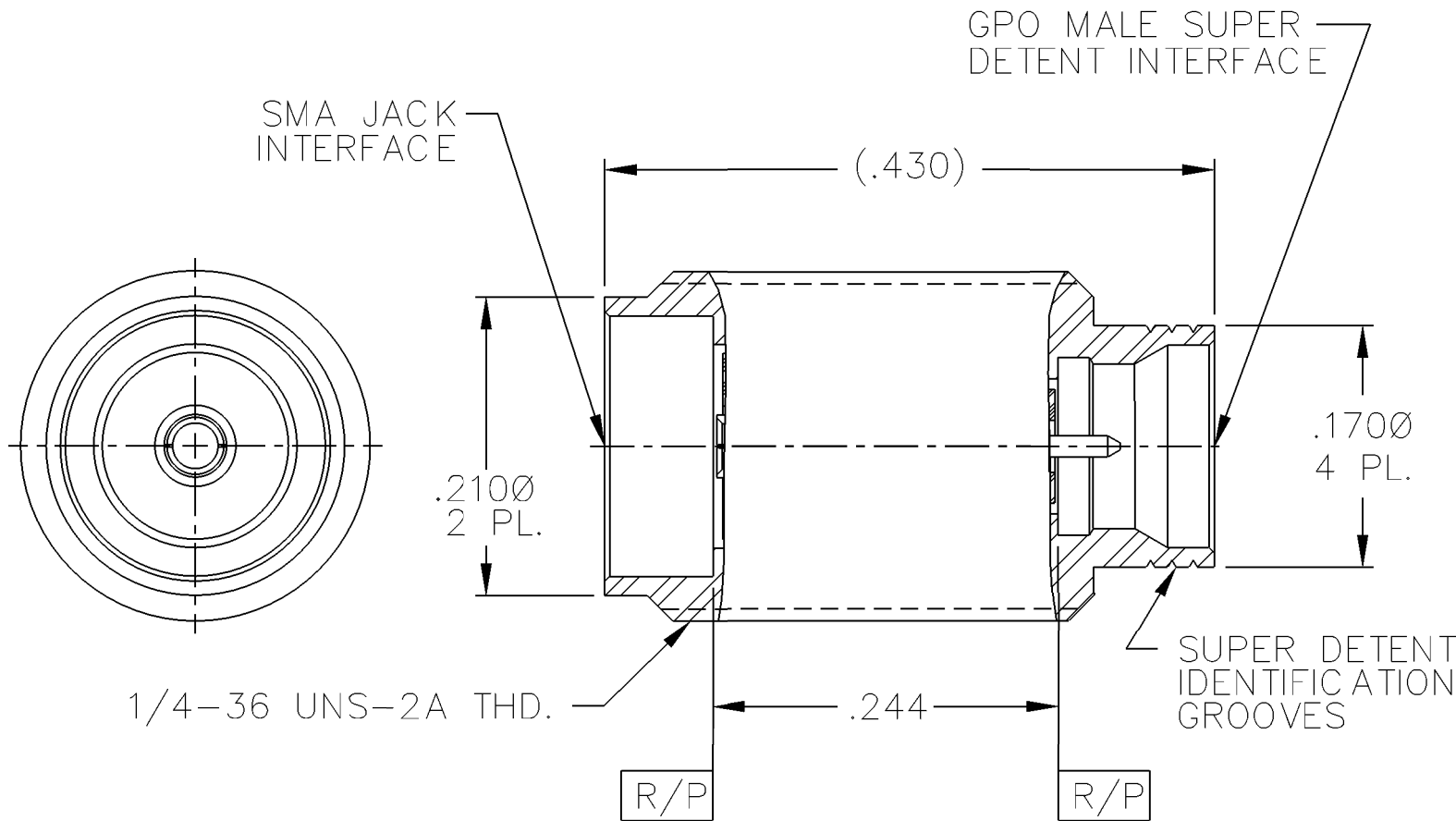
REV.	DESCRIPTION	DATE	APP'D.
A	RELEASE PER GM-6744	2-20-97	

MATERIAL AND FINISH

HOUSING: CRES 303 PER ASTM A 484 AND ASTM A 582 OR ASTM A 555 AND ASTM A 581. PASSIVATE PER MIL-F-14072 E 300.

CONTACT: BERYLLIUM COPPER PER ASTM B196 AND/OR ASTM B197. GOLD PLATE PER MIL-G-45204; TYPE I, GRADE C, CLASS 1.

DIELECTRIC S: VIRGIN PTFE FLUOROCARBON PER ASTM D 1710 AND ASTM D 1457.



ALL DIMENSIONS ARE IN INCHES		CAT. NO. 00219-120-3E	CODE IDENT NO. 82316
GILBERT ENGINEERING CO., INC.			
BY	DATE	TITLE OUTLINE DRAWING FOR SMA JACK TO GPO MALE SUPER DETENT THREAD-IN ADAPTOR	
DRAWN: HCP	2-20-97		
ASSEMBLY PROCEDURES: NONE		DWG. NO. OL-00219-120-3E	REV. A
SOURCE FILE: SK-1214	SHT. 1 OF 1	Date: 4/9/2019 10:03AM	Component: OL002191203E.DWG, Version: 2