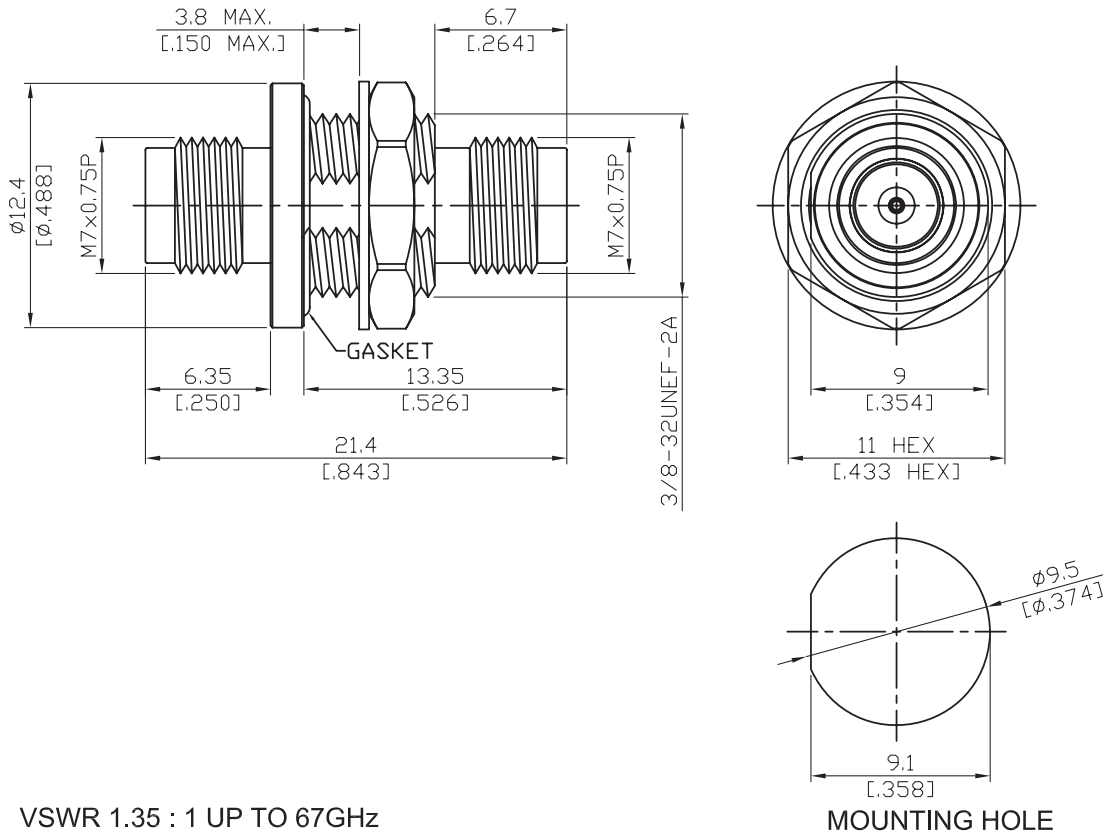


ADS-18/8-18/8-BFA1.3

1.85mm Jack TO 1.85mm Jack Bulkhead
67GHz VSWR 1.35(IP67 Mated)

50Ω



Parts	Material	Plating (Micro-inch)
Body	Stainless Steel	Passivated
Insulator	PPO	
Contact Pin	Beryllium Copper	Gold 4 Over Nickel-Phosphorus Alloy 80 Over Copper 20
Gasket	Silicone	
Lock Washer	Stainless Steel	Passivated
Hex Nut	Stainless Steel	Passivated

IP67 (Mated)

This part number complies with RoHS.

Notice: JYEBAO reserves the right to make modifications deemed appropriate.