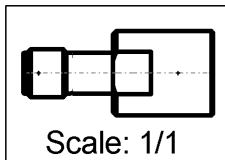
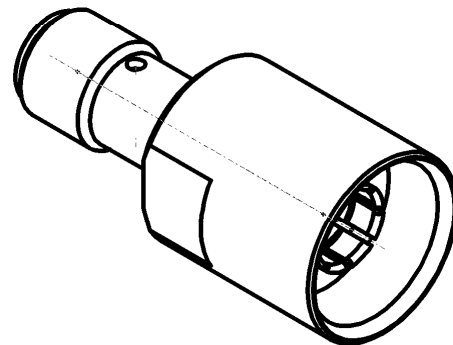
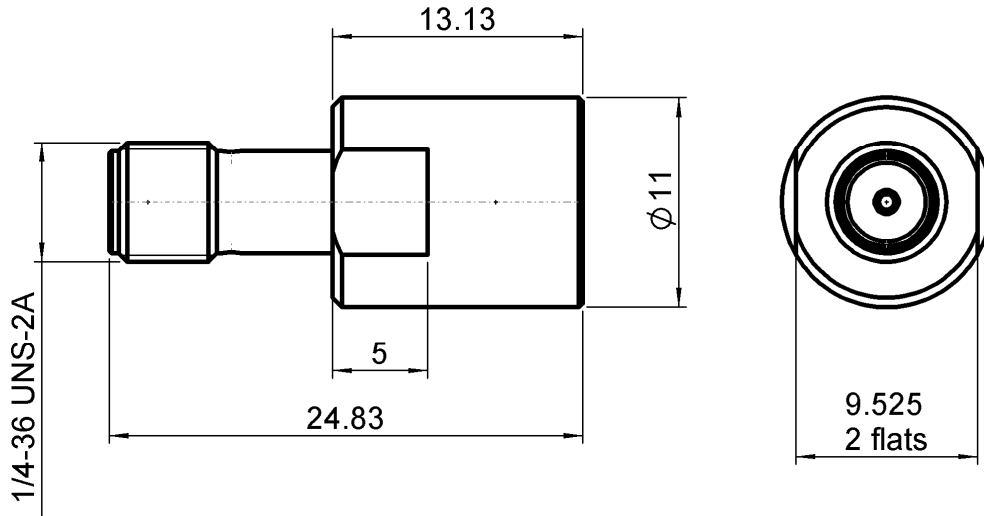


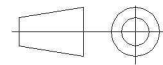
FEMALE - FEMALE ADAPTOR PUSH-ON

R125.792.501

Series : SMA



All dimensions are in mm.



| COMPONENTS | MATERIALS | PLATINGS (µm) |
|----------------|------------------|-------------------------|
| BODY | STAINLESS STEEL | PASSIVATED |
| CENTER CONTACT | BERYLLIUM COPPER | GOLD 2.54 OVER NICKEL 2 |
| OUTER CONTACT | BERYLLIUM COPPER | NICKEL 2 |
| INSULATOR | PTFE | |
| GASKET | - | - |
| OTHERS PARTS | - | - |
| - | - | - |
| - | - | - |

Issue : 0918 C

In the effort to improve our products, we reserve the right to make changes judged to be necessary.



FEMALE - FEMALE ADAPTOR PUSH-ON

R125.792.501

Series : SMA

PACKAGING

SPECIFICATION

| Standard | Unit | Other |
|------------|-------------------|-------------------|
| 100 | 'W' option | Contact us |

ELECTRICAL CHARACTERISTICS

ENVIRONMENTAL

| | | |
|---------------------------------|----------------------|--------------------------|
| Impedance | 50 | Ω |
| Frequency | 0-18 | GHz |
| VSWR | 1.05 + 0,0050 | x F(GHz) Maxi |
| Insertion loss | 0.07 | \sqrt{F} (GHz) dB Maxi |
| RF leakage | - (NA) | - F(GHz)) dB Maxi |
| Voltage rating | 500 | Veff Maxi |
| Dielectric withstanding voltage | 1000 | Veff mini |
| Insulation resistance | 5000 | M Ω mini |

| | | |
|-----------------------|-----------------|--------------|
| Operating temperature | -65/+165 | $^{\circ}$ C |
| Hermetic seal | NA | Atm.cm3/s |
| Panel leakage | NA | |

OTHERS CHARACTERISTICS

Assembly instruction

Others :

MECHANICAL CHARACTERISTICS

| | | |
|----------------------------|---------------|-------------|
| Center contact retention | | |
| Axial force – Mating end | 27 | N mini |
| Axial force – Opposite end | 27 | N mini |
| Torque | 2.8 | N.cm mini |
| Recommended torque | | |
| Mating | NA | N.cm |
| Panel nut | NA | N.cm |
| Mating life | 500 | Cycles mini |
| Weight | 6,6210 | g |

Issue : 0918 C

In the effort to improve our products, we reserve the right to make changes judged to be necessary.

