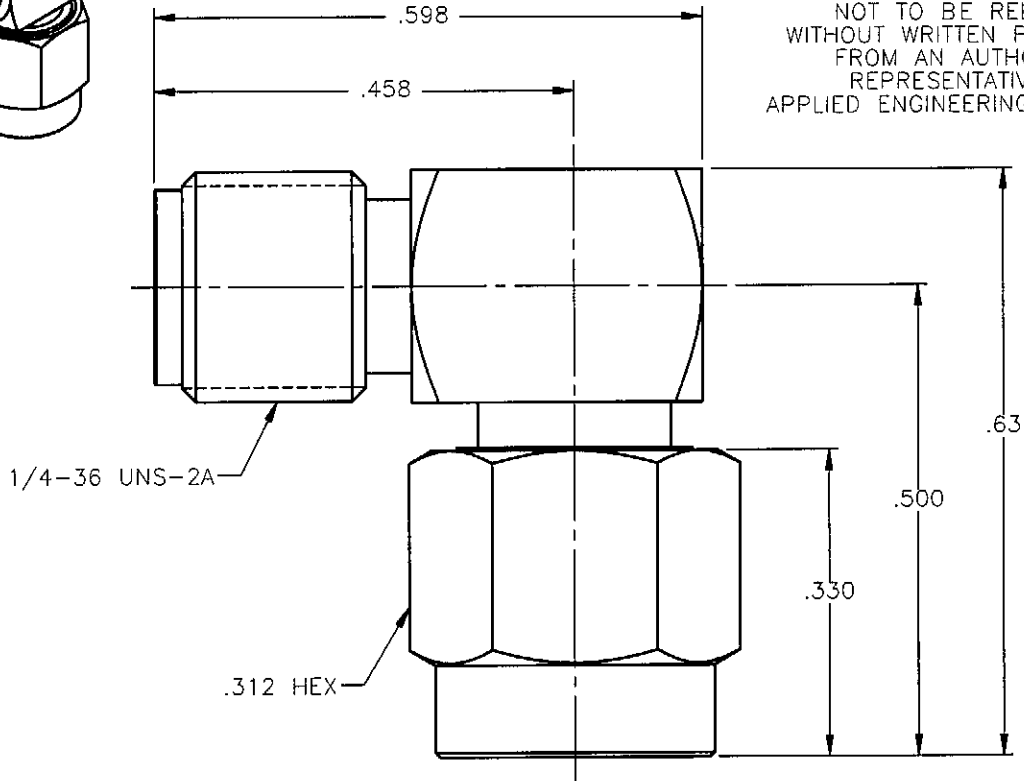


REVISIONS			
REV.	DESCRIPTION	DATE	APPROVED
A	INITIAL RELEASE	07/12/07	A.D.M.

PROPRIETARY INFORMATION
NOT TO BE RELEASED
WITHOUT WRITTEN PERMISSION
FROM AN AUTHORIZED
REPRESENTATIVE OF
APPLIED ENGINEERING PRODUCTS



NOTES:


MATERIALS:

1. BODIES & COUPLING NUT = STAINLESS STEEL PER ASTM A582, ALLOY 303, CONDITION "A".
2. INSULATORS = VIRGIN WHITE TEFLON PER ASTM D1710, GRADE 1, TYPE I, CLASS "B".
3. CONTACT & RETAINING RING = BERYLLIUM COPPER PER ASTM B196, ALLOY C17300, TEMPER TD04.
4. CONTACT & CAP = BRASS PER ASTM B16, ALLOY C36000, TEMPER H02.
5. GASKET = SILICONE RUBBER PER ZZ-R-765, CLASS 2B, GRADE 65-75.

FINISHES:

1. CONTACTS = GOLD PLATE PER MIL-G-45204, TYPE II, CLASS 1, GRADE C, OVER .00010 TO .00020 STRESS FREE SULFAMATE NICKEL PER QQ-N-290.
2. CAP = NICKEL PLATE PER QQ-N-290, CLASS 1, GRADE G, EXCEPT .0001 TO .0002 THICK OVER .00005 TO .0001 THICK COPPER PER MIL-C-14550.
3. BODIES & COUPLING NUT = PASSIVATE PER QQ-P-35, TYPE VI.

VSWR: 1.10 + .006 x F(GHz) MAX

UNLESS OTHERWISE SPECIFIED DIMENSIONS ARE IN INCHES TOLERANCES ON	DWN:	DATE	 APPLIED ENGINEERING PRODUCTS 104 John W. Murphy Dr. New Haven, CT 06513				
	A.D.M.	07/12/07					
DECIMAL	ANGLE	CHKD:	DATE	SMA RIGHT ANGLE PLUG TO JACK ADAPTER			
		D.N.	07/12/07				
REFERENCE:		APVD:	DATE	SIZE	FSCM NO.	DWG NO.	REV
ORIGINATED: A.D.M. DATE: 07/12/07		MATERIALS & FINISHES: SEE NOTES		A	19505	5919-9503-000	A
				SCALE 5:1	THIRD ANGLE PROJECTION		SHEET 1 OF 1

5919-9503-000