

NOTES:

47-920-0000-00

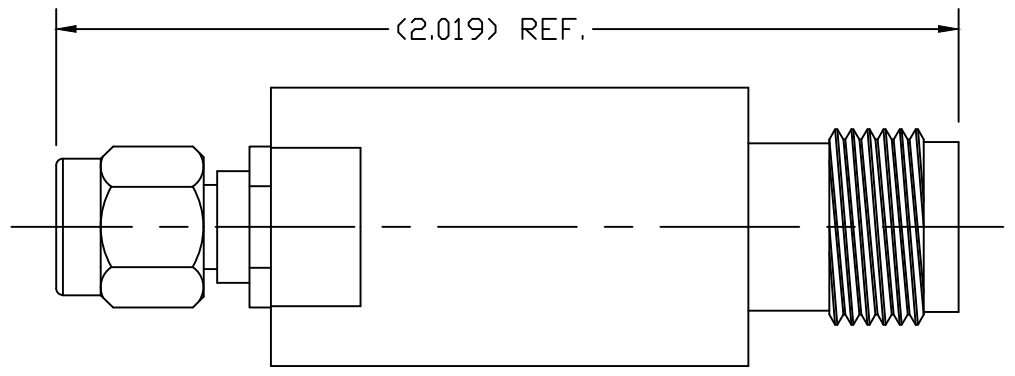
Materials: SST. corrosion-resistant, Non Magnetic 303, per ASTM A484 and A582. Beryllium Copper per ASTM-B-196, QQ-C-530
PTFE Fluorocarbon per ASTM-D-1710 Type 1, Oxide-Noryl(tm), MIL-P-46129


Finish: Center Conductors and solder components shall be plated per MIL-G-45204 Type II, Class 1 over Nickel plate per QQ-N-290.
Body and Body components shall be passivated per ASTM A380.

Frequency: DC-18 GHz

VSWR: 1.15 TO 18 GHz

Insertion Loss: $.05\sqrt{\text{Frequency}}$



| | | | | | | | | | | |
|-----|-------------|-------|-------|--|------------|----------------|--|----------|-------|----------------|
| LTR | DESCRIPTION | DATE | APPR. | DRAWN LMW | CHECKED | USED ON |  SRI CONNECTOR GAGE CO. 751 NORTH DRIVE MELBOURNE FL. 32934 | | | |
| - | REL | 02/04 | | APPR. | SCALE | 47-920-0000-00 | TITLE TNC JACK TO SMA PLUG | | | |
| | | | | UNLESS OTHERWISE SPECIFIED: 1. REMOVE ALL BURRS 2. BREAK ALL CORNERS & EDGES .005 R. MAX 3. CHAMFER 1st & LAST THREADS 45° 4. SURFACE FINISHED 32/ UNLESS OTHERWISE SPECIFIED. 5. DIAMETERS ON COMMON CENTERS TO BE CONCENTRIC WITHIN .002 T.I.R. 6. ALL DIMENSIONS ARE AFTER PLATING. | | | | | | MATERIAL |
| | | | | DIMENSIONS ARE IN INCHES TOLERANCES | | | SIZE | FSCM NO. | SHEET | DWG. NO. |
| | | | | DECIMALS | FRACTIONAL | ANGULAR | A | OHMO1 | 1 | 47-920-0000-00 |
| | | | | .X ±.030 | | .X° ±1°0' | | | | |
| | | | | .XX ±.010 | ± 1/64 | .X'X' ±15' | | | | |
| | | | | .XXX +.005 | | | | | | |