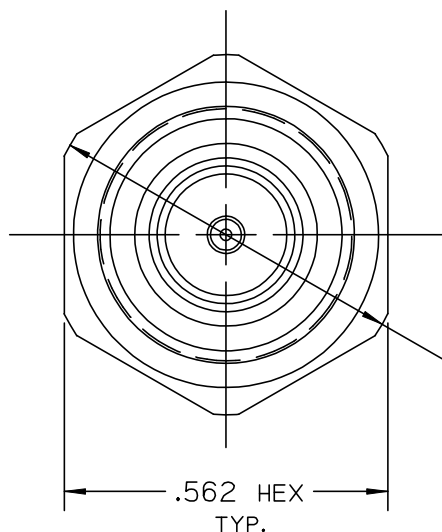


***** THIS DRAWING AND ITS CONTENTS ARE THE SOLE PROPERTY OF PRECISION CONNECTOR INC. AND ARE SUBJECT TO CHANGE WITHOUT NOTICE UNLESS OTHERWISE SPECIFIED *****

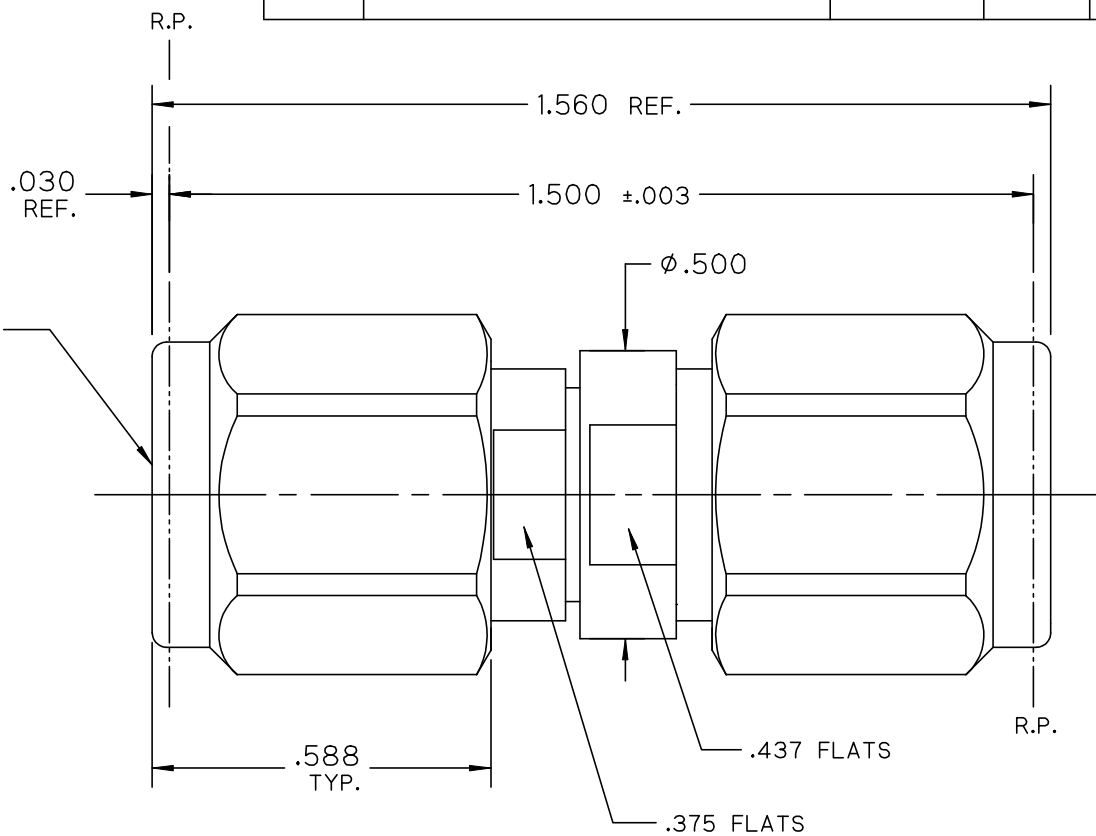
REV.	DESCRIPTION	DATE	BY	APPVD
A	INITIAL RELEASE	06/22/10	MJK	MJK

IMPEDANCE : 50 OHMS NOM.
 FREQ. RANGE : DC TO 18 GHZ
 VSWR : 1.25:1 MAX.
 I.L. : 0.30 dB MAX.
 DWV : 1500 Vrms
 INSL. RES. : 5000 MEGOHMS MIN.
 TEMP. RATING : -55°C TO +150°C



TNCA PLUG INTERFACE (NOTE 3.0) TYP.

Ø.625 TYP. HEX PTS.



NOTES :

1.0 MATERIALS:

- 1.1 BODY & COUPLING NUTS: STEEL, CORROSION RESISTANT PER ASTM-A582, UNS NO. S30300.
- 1.2 CENTER CONTACTS: BERYLLIUM COPPER PER ASTM-B196, UNS C17300.
- 1.3 DIELECTRIC BEAD(S): POLYETHERIMIDE THERMOPLASTIC (ULTEM 1000) PER ASTM-D5205.
- 1.4 INSULATORS: PTFE FLUOROCARBON PER ASTM-D1710.
- 1.5 LOCK RINGS: BERYLLIUM COPPER PER ASTM-B197, UNS C17200.
- 1.6 GASKETS: SILICONE RUBBER PER A-A-59588.

2.0 FINISHES:

- 2.1 CENTER CONTACTS: GOLD PLATE PER ASTM-B488, 50 MICROINCHES MIN. THK. OVER ELECTROLYTIC NICKEL PLATE PER ASTM-B689 50 MICROINCHES MIN. THK.
 - 2.2 BODY & COUPLING NUTS: PASSIVATE PER SAE-AMS-2700.
 - 2.3 GASKETS, LOCK RINGS & DIELECTRICS: NONE.
- 3.0 TNCA PLUG INTERFACE PER MIL-STD-348, FIGURE 313-3.



TOLERANCES UNLESS OTHERWISE SPECIFIED	DRAWN BY: MJK	DESCRIPTION:			
	DATE: 06/22/10	ADAPTOR, TNCA PLUG TO TNCA PLUG			
.XX ± .02	CAGE CODE 4MJR5	SCALE	SHEET NO.	DRAWING NUMBER	REV
.XXX ± .005		3:1	1 OF 1	2237-0L	A
.XXXX ± .0005					
ANGLES ± 2°					