

ENVELOPE / ASSEMBLY DRAWING

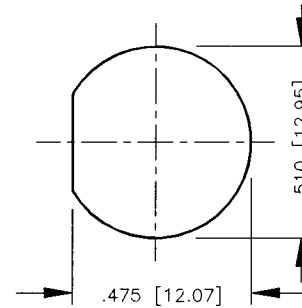
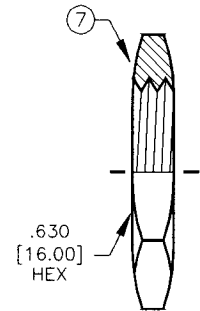
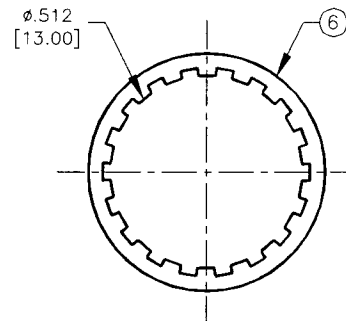
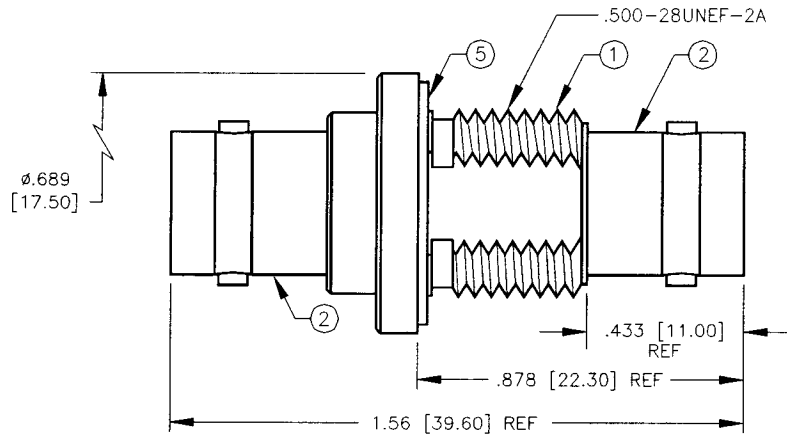
008974

SPECIFICATION CONTROL DRAWING

THIS DRAWING CONTAINS INFORMATION PROPRIETARY TO RF INDUSTRIES, LTD. ANY UNAUTHORIZED USE OF THIS DRAWING IS EXPRESSLY PROHIBITED. ANY VIOLATION IS PUNISHABLE UNDER U.S. COPYRIGHT LAWS.

REV	DESCRIPTION	DWN	DATE	APPROVED
A	ENGINEERING RELEASE	KMM	11/12/97	R. RICE

ALL DIMENSIONS ARE REFERENCE ONLY



SUGGESTED MOUNTING CONFIGURATION

SPECIFICATIONS:

IMPEDANCE: 50 OHMS
 WORKING VOLTAGE: 500 VRMS @ SEA LEVEL
 FREQUENCY RANGE: 0--4 GHz

DIMENSIONS ARE IN INCHES AND [MILLIMETERS]

UNLESS OTHERWISE NOTED TOLERANCES ARE:

DECIMALS DIAMETER

RF connectors
 DIVISION OF RF INDUSTRIES, LTD.

7610 MIRAMAR RD
 SAN DIEGO, CA 92126
 (619)549-6340
 (619)549-6345 FAX

RFB-1135

BNC FEMALE TO BNC FEMALE BULKHEAD

ITEM	DESCRIPTION	QTY	MATERIAL	FINISH
7	HEX NUT	1	BRASS	NICKEL
6	LOCK WASHER	1	BRASS	NICKEL
5	GASKET	1	S.I. RUBBER	RED
4	DIELECTRIC	2	DELTRIN	NONE
3	CONTACT	1	PHOS BRONZE	GOLD
2	BNC BODY	2	BRASS	NICKEL
1	BODY	1	BRASS	NICKEL

DRAWN K. MAXWELL	11/12/97
CHECKED <i>[Signature]</i>	11/12/97
ORIG DRAWN K. MAXWELL	11/12/97
APPROVALS	DATE

SIZE A	CABLE GROUP N/A	DWG NO. 8802	REV A
SCALE: 2:1	CAD FILE 13ARC B	SHEET 1 OF 1	