

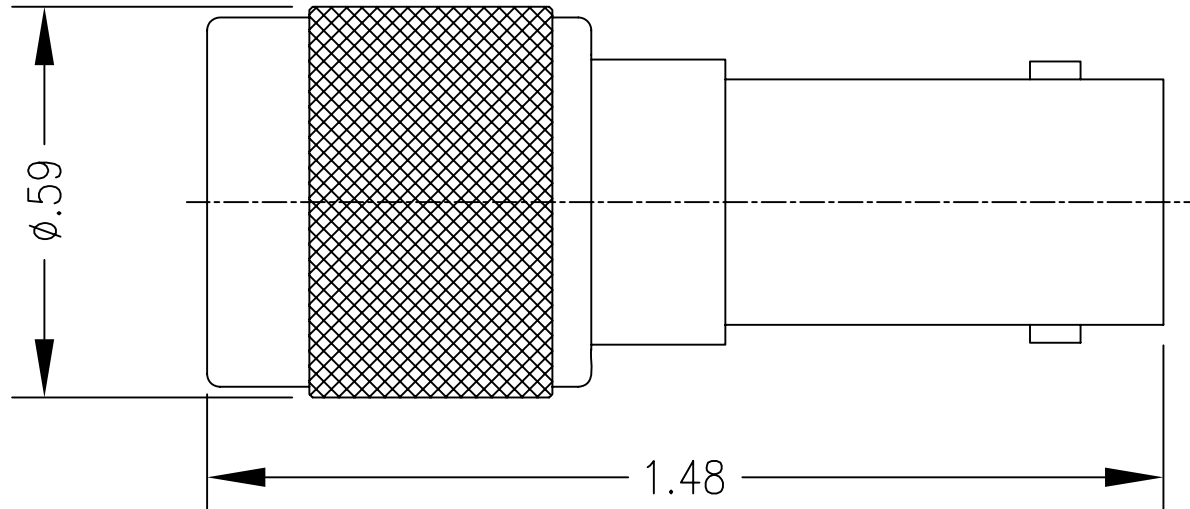
DO NOT SCALE DRAWING


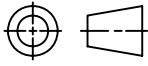
- 1.0 PERFORMANCE
- 1.1 FREQUENCY RANGE: DC-4GHz
- 1.2 VOLTAGE RATING: 500V RMS (sea level)
- 1.3 NOMINAL IMPEDANCE: 50 OHMS
- 1.4 DWV: 1500 V RMS @ 60 Hz (sea level)
- 1.5 TEMPERATURE RANGE: -65°C TO +165°C
- 2.0 MATERIALS
- 2.1 DIELECTRIC: PTFE
- 2.2 GASKET: SILICON RUBBER

- 2.3 CENTER CONTACT: BERYLLIUM COPPER
- 2.4 LOCKING RING: PHOSPHOR BRONZE
- 2.5 OTHER METAL PARTS: BRASS
- 3.0 FINISHES: SEE TABLE
- 4.0 MECHANICAL
- 4.1 MATES WITH MIL-STD-348

DWG NO. OL-0910-09-1		REV. A
PART NUMBER	BODY	CONTACT
0910-09	NICKEL	SILVER

PLATING PER SAN-TRON SPEC. 7.3.1-8



				<p>THIS DRAWING CONTAINS CONFIDENTIAL INFORMATION PROPRIETARY TO SAN-TRON, INC. IT MUST NOT BE REPRODUCED OR DISCLOSED TO OTHERS OR USED IN ANY OTHER WAY, IN WHOLE OR PART EXCEPT AS AUTHORIZED IN WRITING BY SAN-TRON, INC.</p>			 <p>SAN-TRON, INC. 4 NEWBURYPORT TPK. IPSWICH MA USA 01938 TEL: 978 - 356 -1585 FAX: 978 - 356 -1573 WWW.santron.com E MAIL: santron@santron.com</p>	
				<p>UNLESS OTHERWISE SPECIFIED: ALL DIMENSIONS ARE IN INCHES. ALL DIMENSIONS ARE AFTER PLATING. .XXX= ±.005 ALL MACHINED SURFACES 32/ MAX. .XX= ±.01 ANG.±1/2' FRACTIONAL= ±1/64</p>				
A	RELEASE	NEW	4/14/08	JTH	FSH			
1	PRELIMINARY: DO NOT MFG	NEW	4/11/08					
Rev.	Revisions	Disp.	Date	Dwn.	Appd.			
Ref.: SK-		REMOVE ALL BURRS AND SHARP EDGES .005 MAX.		INTERPRET PER ASME Y14.5M-1994				
				 <p>THIRD ANGLE PROJECTION</p>				
				DWN	JTH	4/11/08		
				CHKD				
				APPR	FSH	4/14/08		
						TITLE ADAPTER, TNC (M) TO BNC (F), STRAIGHT		
						MATERIAL: SEE NOTES		
						FINISH: SEE TABLE		
						CAGE CODE: 50896		
						DWG NO. OL-0910-09-1		
						SCALE X:X		
						REV. A		