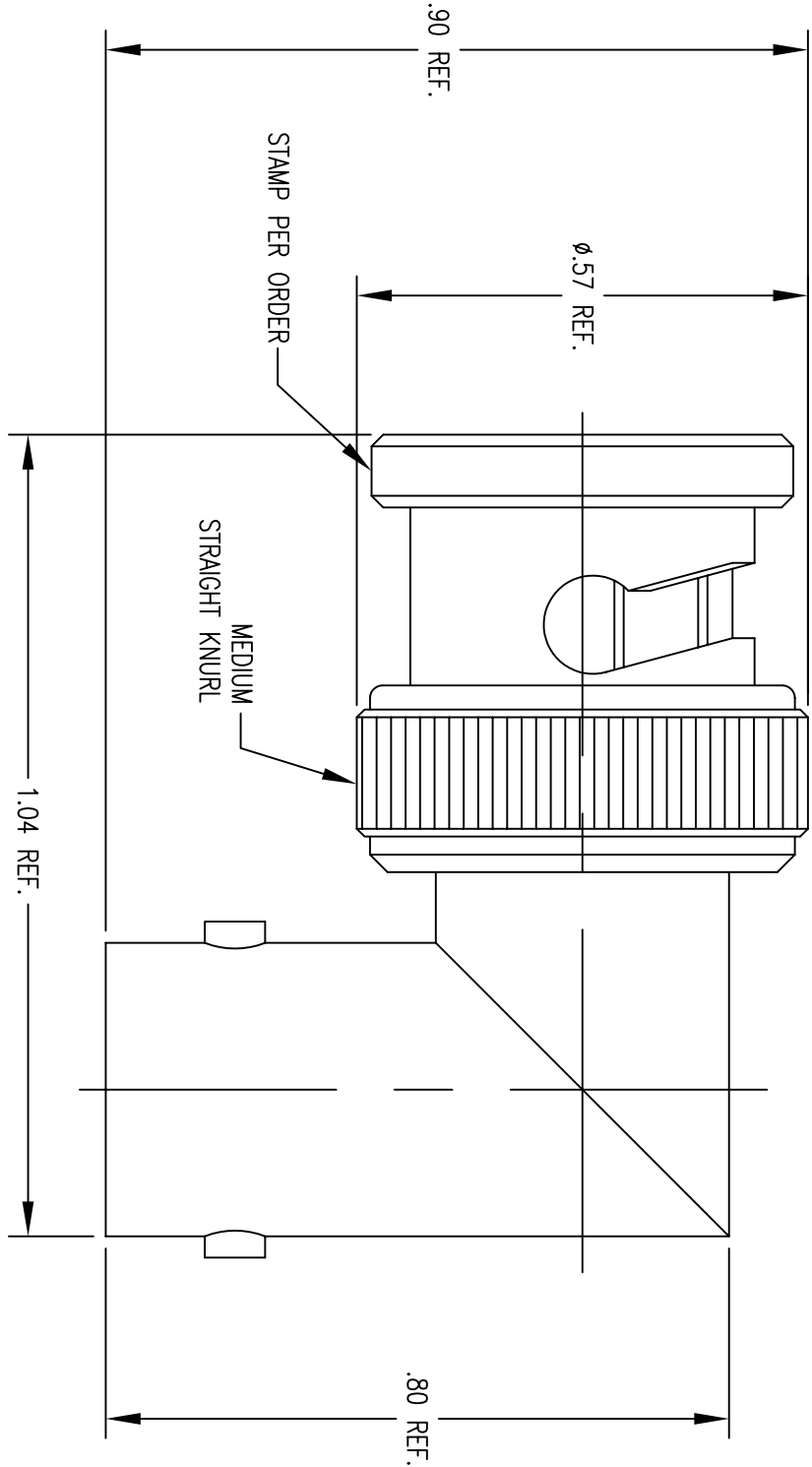



- 1.0 PERFORMANCE
- 1.1 FREQUENCY RANGE: DC-4GHz
- 1.2 VOLTAGE RATING: 500V RMS (sea level)
- 1.3 NOMINAL IMPEDANCE: 50 OHMS
- 1.4 DWV: 1500 V RMS @ 60 Hz (sea level)
- 1.5 TEMPERATURE RANGE: -65°C TO +165°C
- 2.0 MATERIALS
- 2.1 DIELECTRIC: TEFLON, ASTM-D-1710
- 2.2 CONTACT: BERYLLIUM COPPER ASTM-B-196
- 2.3 SPRING WASHERS: BERYLLIUM COPPER, ASTM-B-194
- 2.4 ALL OTHER METAL PARTS: BRASS PER ASTM-B-16
- 2.5 GASKET: SILICON RUBBER, ZZ-R 765, GR. 50 (RED)
- 3.0 FINISHES
- 3.1 CONTACT: SILVER PLATED
- 3.2 ALL OTHER METAL PARTS: NICKEL PLATED
- 4.0 MECHANICAL
- 4.1 INTERFACE IN ACCORDANCE WITH MIL-STD-348

DWG NO.	OL-306A-1	REV.	A
PLATING VARIATIONS		PART NUMBER	BODY CONTACT
		UG-306A/U Ni/Gold	NICKEL GOLD
		UG-306A/U	NICKEL SILVER



DO NOT SCALE DRAWING


**SAN-TRON, INC.**  
 4 NEWBURYPORT TPK. IPSWICH MA USA 01938  
 TEL: 978-356-1585 FAX: 978-356-1573  
 WWW.SANTRON.COM E.MAIL: SANTRON@SANTRON.COM

THIS DRAWING CONTAINS CONFIDENTIAL INFORMATION PROPRIETARY TO SAN-TRON INC. IT MUST NOT BE REPRODUCED OR DISCLOSED TO OTHERS OR USED IN ANY OTHER WAY, IN WHOLE OR PART EXCEPT AS AUTHORIZED IN WRITING BY SAN-TRON INCORPORATED. UNLESS OTHERWISE SPECIFIED:  
 ALL DIMENSIONS ARE IN INCHES.  
 ALL DIMENSIONS ARE AFTER PLATING.  
 .XXX = ±.005 ALL MACHINED SURFACES 63/ MAX.  
 .XX = ±.01 ANG. ±1/2° FRACTIONAL = ±1/64  
 ◎ 004 MAX. TIR

Rev.	A	Revisions	NEW	9/11/03	Disp.	Appd.	Interpret Per	ASME Y14.5M-1994
Rev.								

TITLE: **BNC RIGHT ANGLE ADAPTER MALE TO FEMALE**  
 MATERIAL: SEE NOTE 2.0  
 FINISH: SEE NOTE 3.0  
 CAGE CODE: 50896  
 SCALE: 4:1  
 DWG NO.: OL-306A-1  
 REV.: A