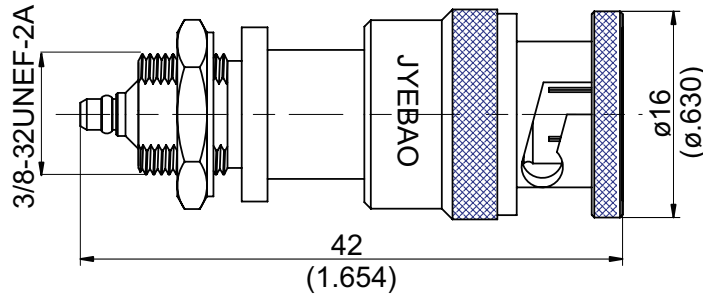
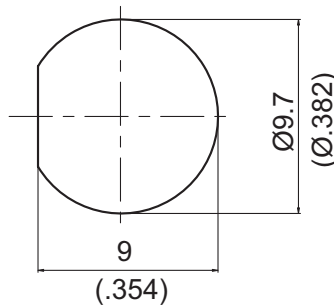


ADNP-E3B3-BFA

**BNC Plug To MMCX Plug For Bulkhead 50Ω**



MOUNTING HOLE:



**NOTE: VSWR 1.2:1 MAX UP TO 4 GHz.**

Parts	Material	Plating (Micro-inch)
Insulator	Teflon	
Spring	SK5	Tin-Zinc-Copper-Alloy 100 Over Copper 50
Contact Pin	Brass	Gold 10 Over Nickel 50 Over Copper 50
Renber Ring	Beryllium Copper	Gold 5 Over Nickel 50 Over Copper 50
Washer	Brass	Tin-Zinc-Copper-Alloy 100 Over Copper 50
Body(BNC)	Brass	Tin-Zinc-Copper-Alloy 100 Over Copper 50
Body(MMCX)	Brass	Gold 5 Over Nickel 50 Over Copper 50
Gasket	Silicon	Tin-Zinc-Copper-Alloy 100 Over Copper 50
Hex Nut	Brass	Tin-Zinc-Copper-Alloy 100 Over Copper 50
Coupling Nut	Stainless	Passivated

Weight:

**This part number complies with RoHS.**

**Notice: JYEBAO reserves the right to make modifications deemed appropriate.**