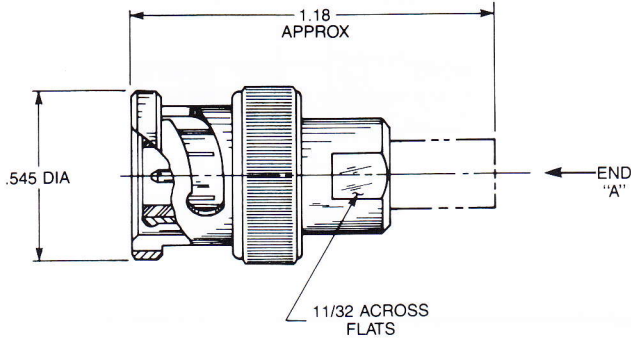


adapters

BETWEEN SERIES

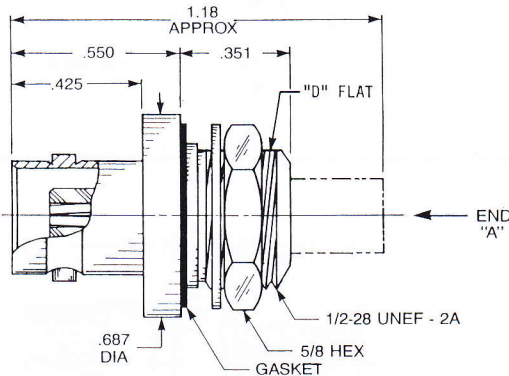
BNC TO SUBMINIATURE

BNC PLUG



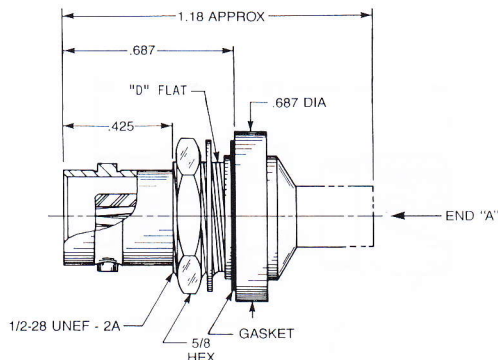
| | | |
|------------------------------|-----------------------------|--------------------------------|
| END "A" CONFIGURATION | SMC MALE JACK | 5402-1501-000 5402-7501-000 |
| | SMC FEMALE PLUG | 5403-1501-000 5403-7501-000 |
| | SMB MALE JACK | 5404-1501-000 5404-7501-000 |
| | SMB FEMALE PLUG | 5405-1501-000 5405-7501-000 |
| | 75 OHM SCREW-ON MALE JACK | 5406-1501-000 5406-7501-000 |
| | 75 OHM SCREW-ON FEMALE PLUG | 5407-1501-000 5407-7501-000 |
| | 75 OHM SNAP-ON MALE JACK | 5408-1501-000 5408-7501-000 |
| | 75 OHM SNAP-ON FEMALE PLUG | 5409-1501-000 5409-7501-000 |

BNC BULKHEAD JACK FRONT MOUNT



| | | |
|------------------------------|-----------------------------|--------------------------------|
| END "A" CONFIGURATION | SMC MALE JACK | 5510-1501-000 5510-7501-000 |
| | SMC FEMALE PLUG | 5511-1501-000 5511-7501-000 |
| | SMB MALE JACK | 5512-1501-000 5512-7501-000 |
| | SMB FEMALE PLUG | 5513-1501-000 5513-7501-000 |
| | 75 OHM SCREW-ON MALE JACK | 5514-1501-000 5514-7501-000 |
| | 75 OHM SCREW-ON FEMALE PLUG | 5515-1501-000 5515-7501-000 |
| | 75 OHM SNAP-ON MALE JACK | 5516-1501-000 5516-7501-000 |
| | 75 OHM SNAP-ON FEMALE PLUG | 5517-1501-000 5517-7501-000 |

BNC BULKHEAD JACK REAR MOUNT



| | | |
|------------------------------|-----------------------------|--------------------------------|
| END "A" CONFIGURATION | SMC MALE JACK | 5502-1501-000 5502-7501-000 |
| | SMC FEMALE PLUG | 5503-1501-000 5503-7501-000 |
| | SMB MALE JACK | 5504-1501-000 5504-7501-000 |
| | SMB FEMALE PLUG | 5505-1501-000 5505-7501-000 |
| | 75 OHM SCREW-ON MALE JACK | 5506-1501-000 5506-7501-000 |
| | 75 OHM SCREW-ON FEMALE PLUG | 5507-1501-000 5507-7501-000 |
| | 75 OHM SNAP-ON MALE JACK | 5508-1501-000 5508-7501-000 |
| | 75 OHM SNAP-ON FEMALE PLUG | 5509-1501-000 5509-7501-000 |

-1501- indicates gold plated body
-7501- indicates nickel plated body

AEP New Haven, CT
203/776-2813