

CATALOG NUMBER

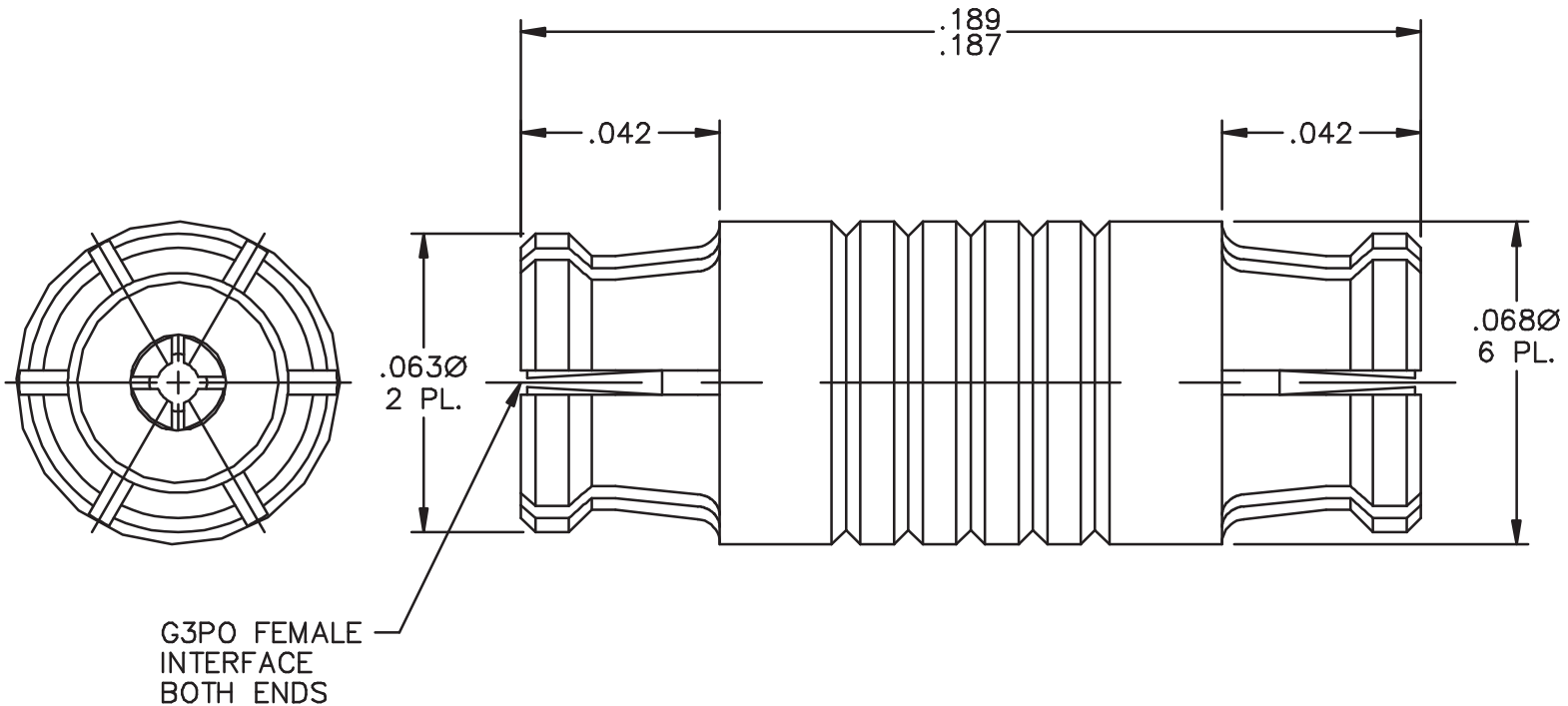
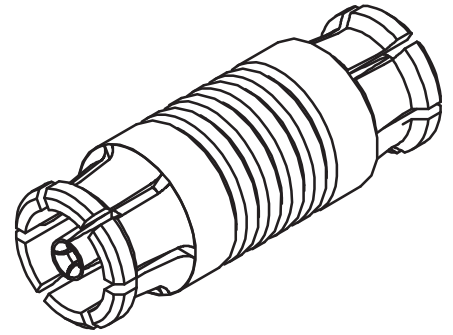
R1R1-0001-03-188

## MATERIAL AND FINISH

HOUSING AND  
CENTER CONTACT:BeCu; GOLD PLATE 50-100 MICRONS  
OVER NICKEL PLATE 50 MICRONS MIN.

DIELECTRIC:

VIRGIN PTFE



This drawing and any data contained herein is the property of Corning Gilbert Inc., and constitutes and contains proprietary and confidential information. Neither receipt nor possession of this drawing confers or transfers any right to duplicate, use or disclose any information contained herein except as expressly authorized by Corning Gilbert Inc.

G3PO BLINDMATE  
INTERCONNECT  
.188 LONG

IDENT CODE:  
82316

REVISION: A

**Corning Gilbert Inc.**

SOURCE FILE: SK-2540

DWG. NO.: OL-R1R1-0001-03-188

ASSY. PROC.: -