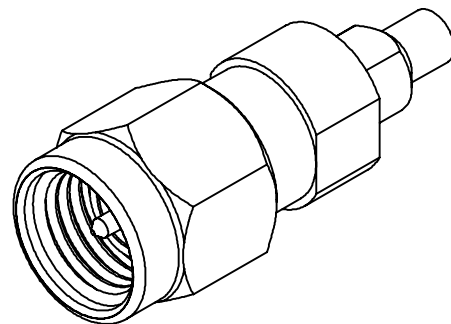


CATALOG NUMBER	"A" INTERFACE
1R3F2-0503-01	FULL DETENT
1R5F2-0503-01	SMOOTH BORE



MATERIAL AND FINISH

G3PO HOUSING,
SMA HOUSING AND
COUPLING NUT:

CRES 303; PASSIVATED

CENTER CONTACT:

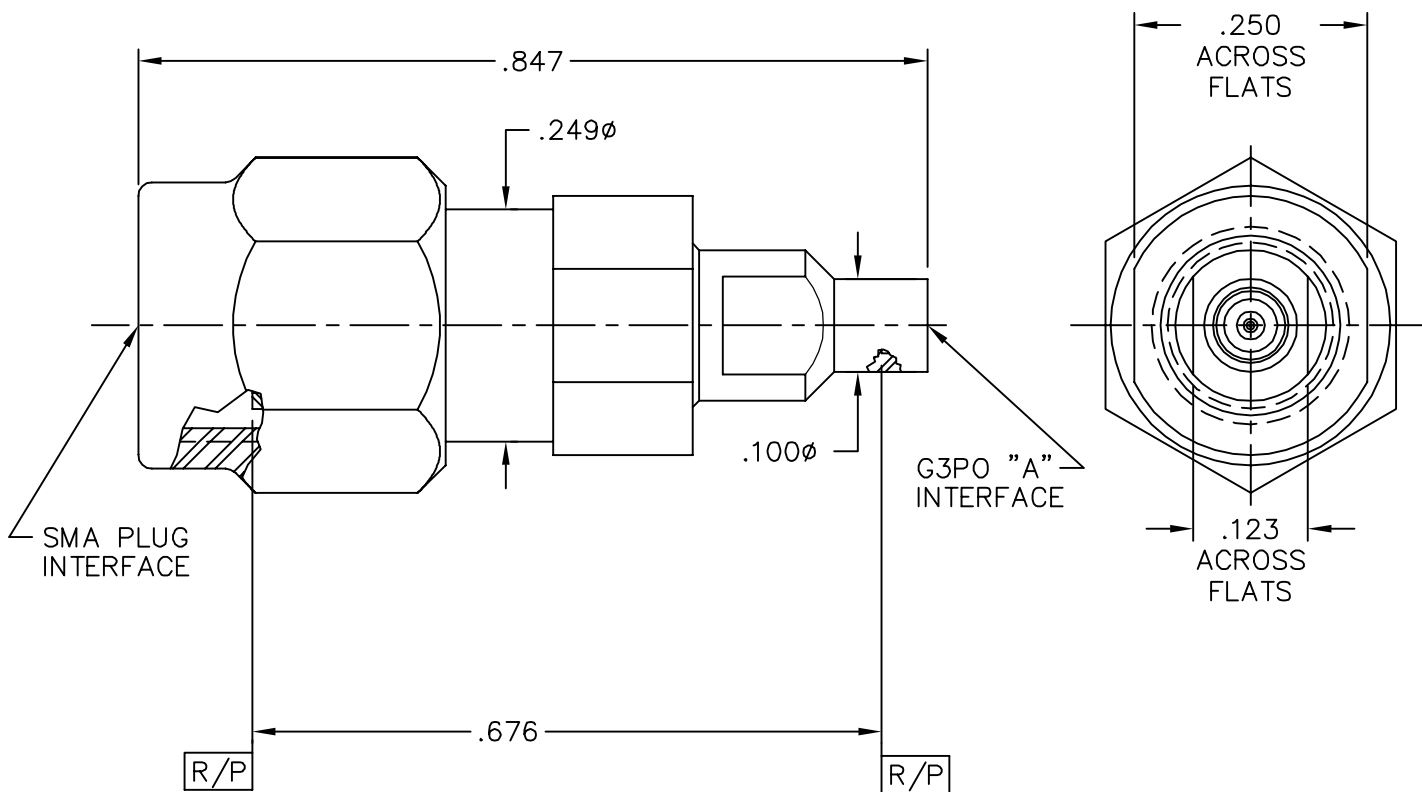
BeCu; GOLD PLATE 75 MICROINCHES TYPICAL
OVER NICKEL PLATE 100 MICROINCHES TYPICAL

DIELECTRICS:

VIRGIN PTFE

RETAINING RING:

BeCu



This drawing and any data contained herein is the property of Corning Gilbert Inc., and constitutes and contains proprietary and confidential information. Neither receipt nor possession of this drawing confers or transfers any right to duplicate, use or disclose any information contained herein except as expressly authorized by Corning Gilbert Inc.

G3PO MALE TO SMA
PLUG ADAPTER
(TAB DETENT)

IDENT CODE:
82316

REVISION: 01

Corning Gilbert Inc.

SOURCE FILE: SK-3237

DWG. NO.: OL-1RXF2-0503-01

ASSY. PROC.: -