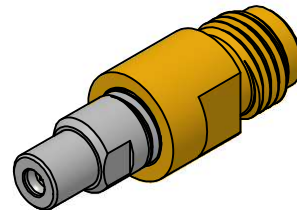


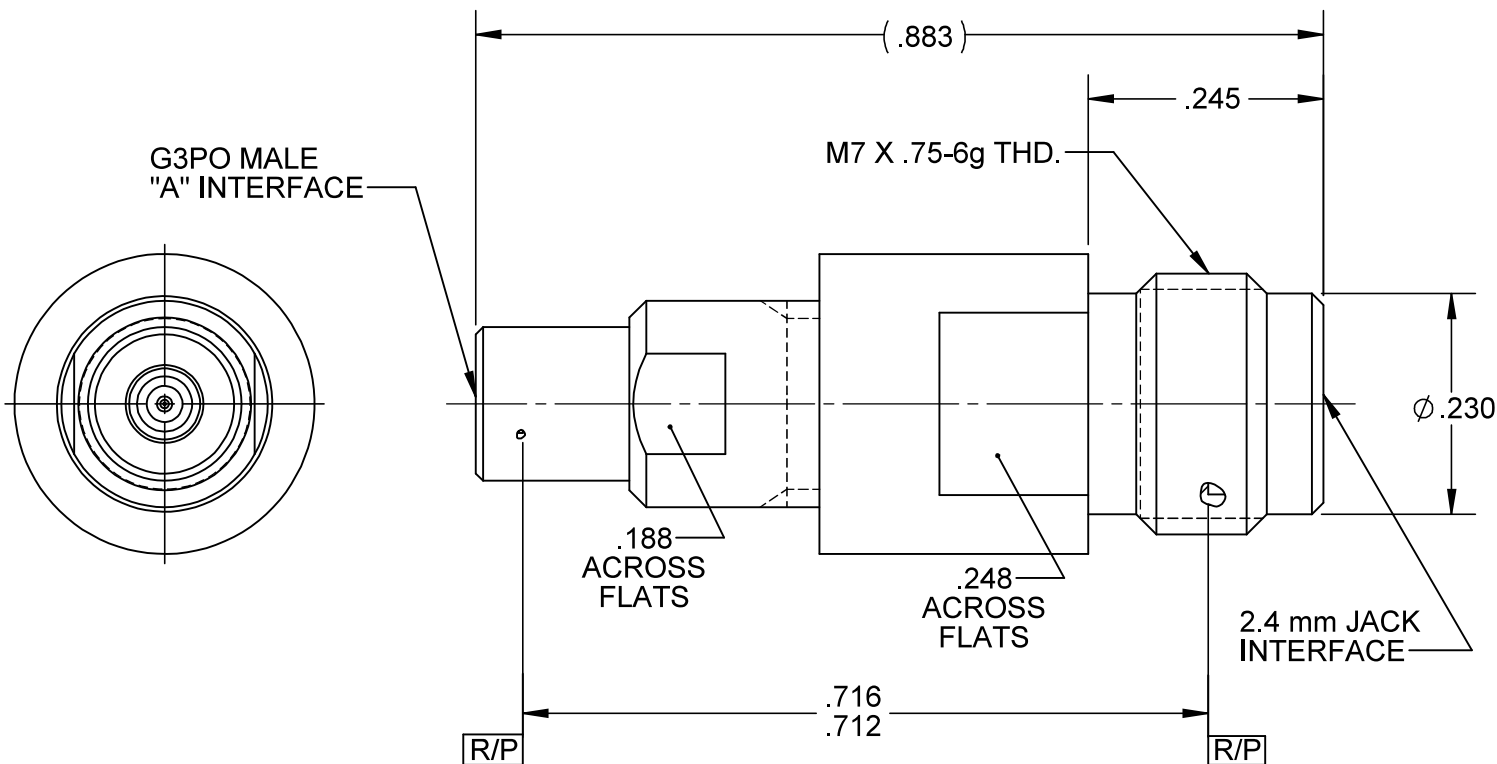
<b>CATALOG NUMBER</b>	<b>"A" INTERFACE</b>
1R3C1-0503-01	FULL DETENT
1R5C1-0503-01	SMOOTH BORE



**MATERIAL AND FINISH**

**HOUSINGS AND CENTER CONTACT:** BeCu; GOLD PLATE 75 MICROINCHES TYPICAL  
OVER NICKEL PLATE 100 MICROINCHES TYPICAL

**DIELECTRICS:** VIRGIN PTFE



CORNING RESTRICTED - This drawing and any data contained herein is the proprietary and confidential information of Corning. Neither receipt nor possession of this drawing provides any right to duplicate, use, or disclose any information contained herein except with the express written consent of Corning.  
EXPORT CONTROL - This document contains information within the purview of the Export Administration Regulations (EAR), 15 CFR 730-774, and may be export controlled.

<b>APPROX. WEIGHT:</b>	4.8137 grams	<b>SIGNATURES</b>	<b>INIT</b>	<b>DATE:</b>
<b>TOLERANCE:</b>	.XX ±.010 .XXX ±.005 ANGULAR ±5°	<b>DRAWN:</b>	-	-
		<b>CHECKED:</b>	DMG	
		<b>APPROVED:</b>	TEF	

<b>G3PO MALE TO 2.4 mm JACK ADAPTER (TAB DETENT)</b>	<b>CAGE CODE:</b> 82316	<b>SCALE:</b> 5:1	<b>CORNING</b>	PLANT OF ORIGIN CORNING PHOENIX PLANT: (623)245-1050 CUSTOMER SERVICE: (800) 651-8869
	<b>REVISION:</b> 02			

<b>SOURCE FILE:</b> SK-3560	<b>DWG. NO.:</b> OL-1RXC1-0503-01	<b>ASSY. PROC.:</b> -
--------------------------------	--------------------------------------	--------------------------