

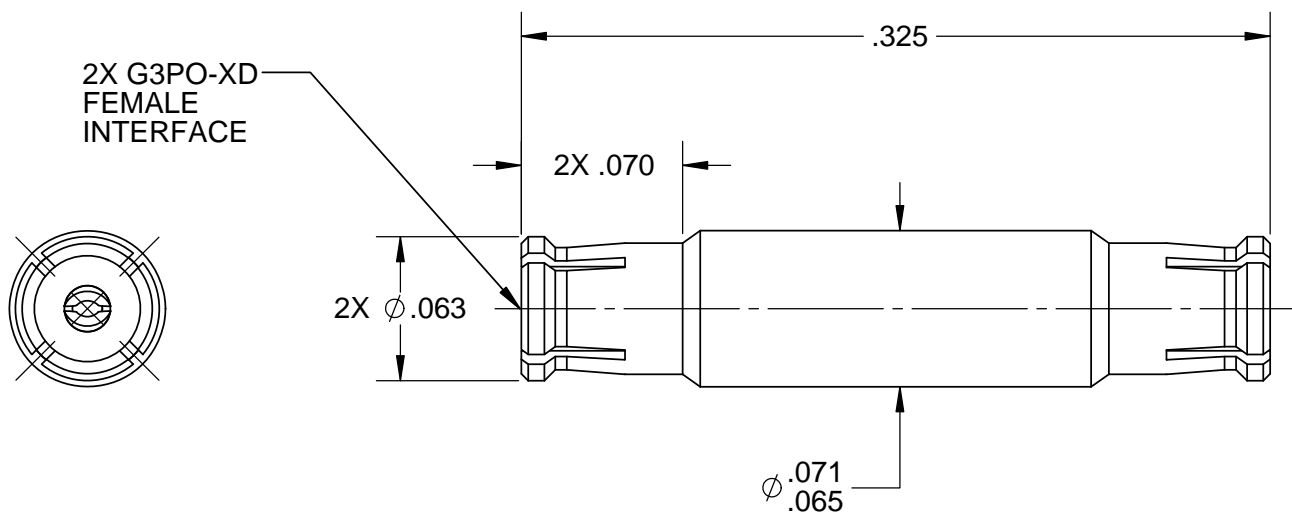
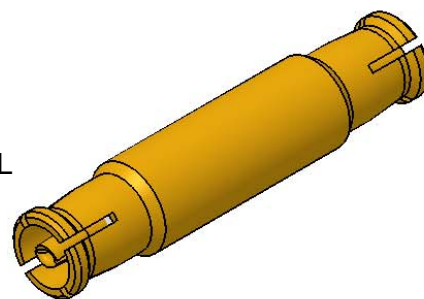
CATALOG NUMBER

R1R1-0001-21-0325

MATERIAL AND FINISH

HOUSING AND CENTER CONTACT: BeCu; GOLD PLATE 75 MICROINCHES TYPICAL
OVER NICKEL PLATE 100 MICROINCHES TYPICAL

DIELECTRICS: VIRGIN PTFE



CORNING RESTRICTED - This drawing and any data contained herein is the proprietary and confidential information of Corning. Neither receipt nor possession of this drawing provides any right to duplicate, use, or disclose any information contained herein except with the express written consent of Corning.
EXPORT CONTROL - This document contains information within the purview of the Export Administration Regulations (EAR), 15 CFR 730-774, and may be export controlled.

APPROX. WEIGHT:	0.0923 grams	SIGNATURES	INIT	DATE:
TOLERANCE: .XX ±.010 .XXX ±.005 ANGULAR ±5°		DRAWN:	CMH	2/28/2017
		CHECKED:	DMG	
		APPROVED:	TEF	

G3PO-XD BLINDMATE INTERCONNECT (.325 O.A.L.)	CAGE CODE: 82316	SCALE: 8:1	CORNING	<small>PLANT OF ORIGIN</small> CORNING PHOENIX PLANT: (623)245-1050 CUSTOMER SERVICE: (800) 651-8869
	REVISION:	A		

SOURCE FILE:	SK-5915	DWG. NO.:	OL-R1R1-0001-21-0325	ASSY. PROC.:	-
---------------------	---------	------------------	----------------------	---------------------	---