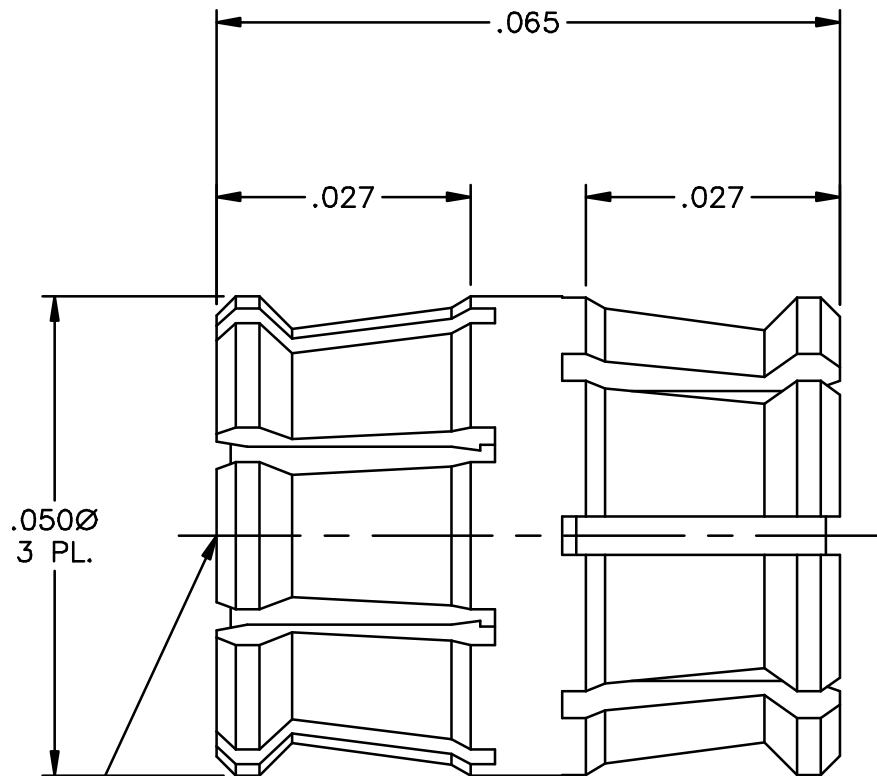
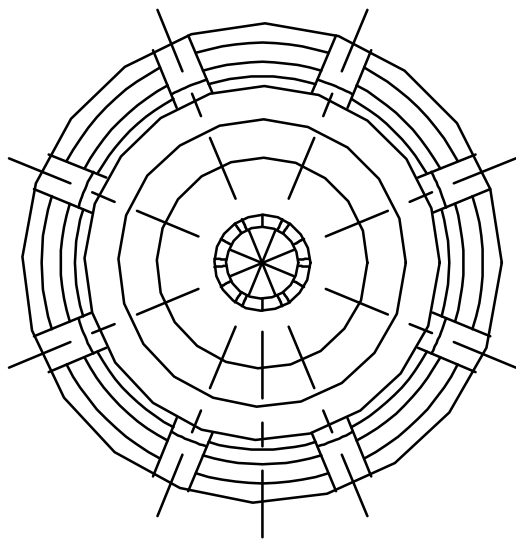
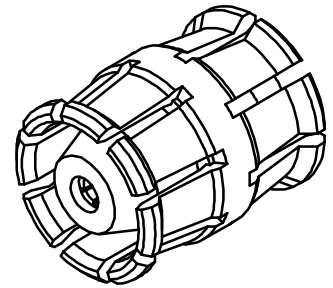


CATALOG NUMBER

S1S1-0001-01

## MATERIAL AND FINISH

HOUSING AND  
CENTER CONTACT:  
DIELECTRICS:BeCu; GOLD PLATE 75 MICRONS TYPICAL  
OVER NICKEL PLATE 100 MICRONS TYPICAL  
POLYAMIDE-IMIDEG4PO FEMALE  
INTERFACE  
EACH END

This drawing and any data contained herein is the property of Corning Gilbert Inc., and constitutes and contains proprietary and confidential information. Neither receipt nor possession of this drawing confers or transfers any right to duplicate, use or disclose any information contained herein except as expressly authorized by Corning Gilbert Inc.

G4PO BLINDMATE  
INTERCONNECTIDENT CODE:  
82316

REVISION: 01

**Corning Gilbert Inc.**

SOURCE FILE: SK-3480

DWG. NO.: OL-S1S1-0001-01

ASSY. PROC.: -