

CATALOG NUMBER

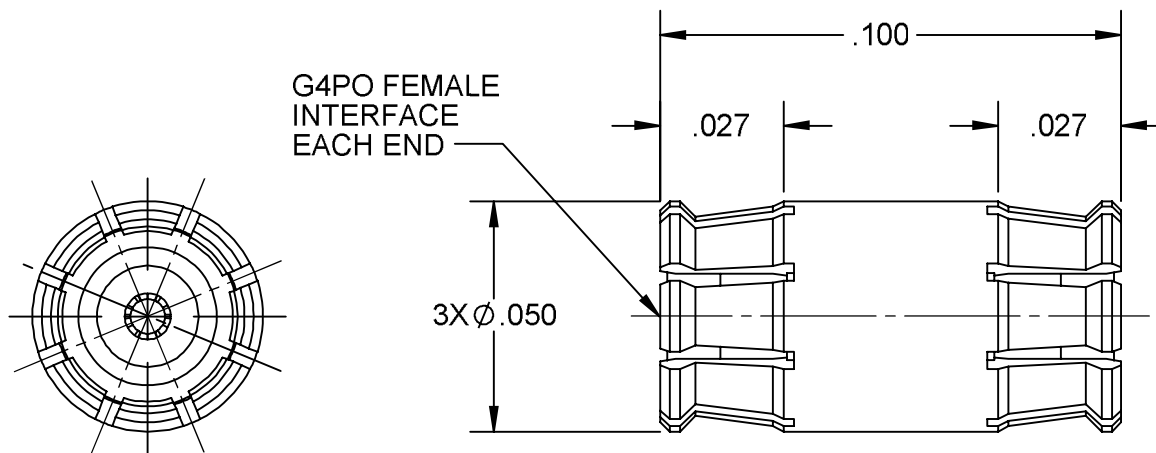
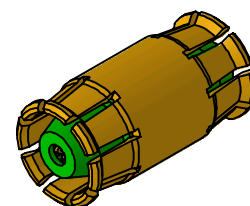
S1S1-0001-03-100

MATERIAL AND FINISH

HOUSING: BeCu; GOLD PLATE 75 MICROINCHES TYPICAL
OVER NICKEL PLATE 100 MICROINCHES TYPICAL

DIELECTRICS: POLYAMIDE-IMIDE

DIELECTRIC: POLYETHERMIDE



CORNING RESTRICTED - This drawing and any data contained herein is the proprietary and confidential information of Corning. Neither receipt nor possession of this drawing provides any right to duplicate, use, or disclose any information contained herein except with the express written consent of Corning.
EXPORT CONTROL - This document contains information within the purview of the Export Administration Regulations (EAR), 15 CFR 730-774, and may be export controlled.

APPROX. WEIGHT: 0.0096 grams		SIGNATURES	INIT	DATE:
TOLERANCE: .XX ±.010 .XXX ±.005 ANGULAR ±5°		DRAWN: DMG		8/8/17
		CHECKED: BLK		
		APPROVED: TEF		

G4PO .100 BLINDMATE INTERCONNECT

CAGE CODE: 82316
SCALE: 24:1
REVISION: 01



PLANT OF ORIGIN
CORNING PHOENIX
PLANT: (623)245-1050
CUSTOMER SERVICE:
(800) 651-8869

SOURCE FILE: SK-5983	DWG. NO.: OL-S1S1-0001-03-100	ASSY. PROC.: -
-----------------------------	--------------------------------------	-----------------------