

CATALOG NUMBER

02018-317-3

MATERIAL AND FINISH

HOUSING
AND NUT:

CRES 303; PASSIVATED

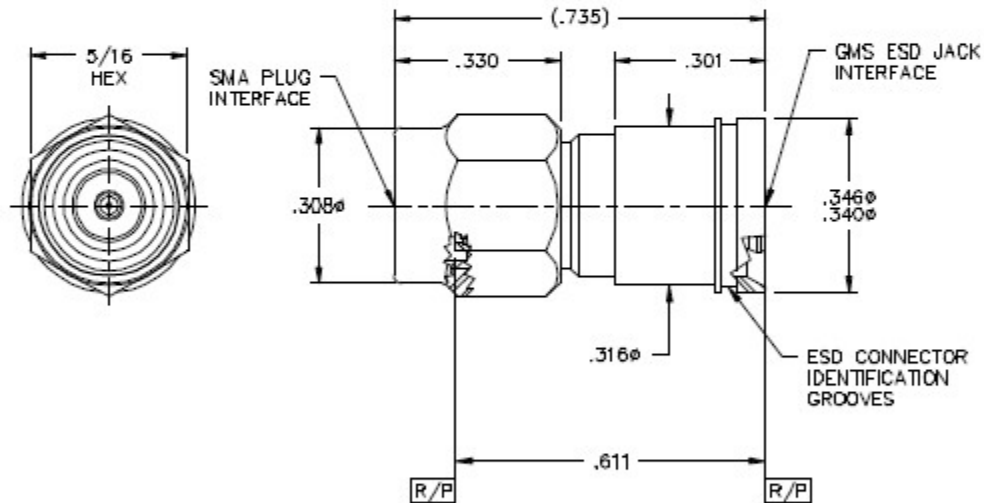
PIN CONTACT AND
OUTER CONDUCTOR:BeCu; GOLD PLATE 50-100 MICRONS
OVER NICKEL PLATE 50 MICRONS MIN.

DIELECTRICS:

VIRGIN PTFE (TEFLON)

RETAINING RING:

BeCu



This drawing and any data contained herein is the property of Corning Gilbert Inc., and constitutes and contains proprietary and confidential information. Neither receipt nor possession of this drawing confers or transfers any right to duplicate, use or disclose any information contained herein except as expressly authorized by Corning Gilbert Inc.

GMS ESD JACK
TO SMA
PLUG ADAPTER

IDENT CODE:

82316

REVISION: C

Corning Gilbert Inc.

SOURCE FILE: SK-1103

DWG. NO.: OL-02018-317-3

ASSY. PROC.: —