

GMS ESD Adapters

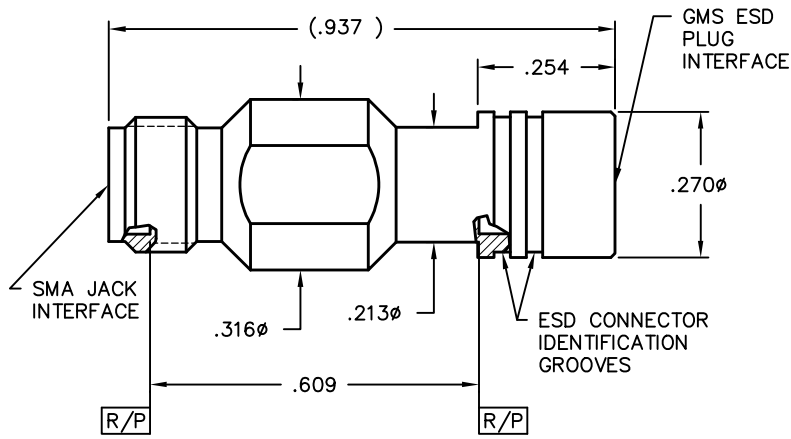
GMS ESD Male Plug to SMA Jack

Catalog Number

02018-318-3

VSWR (TYP)

1.20:1 to 18 GHz, 1.30:1 to 23 GHz



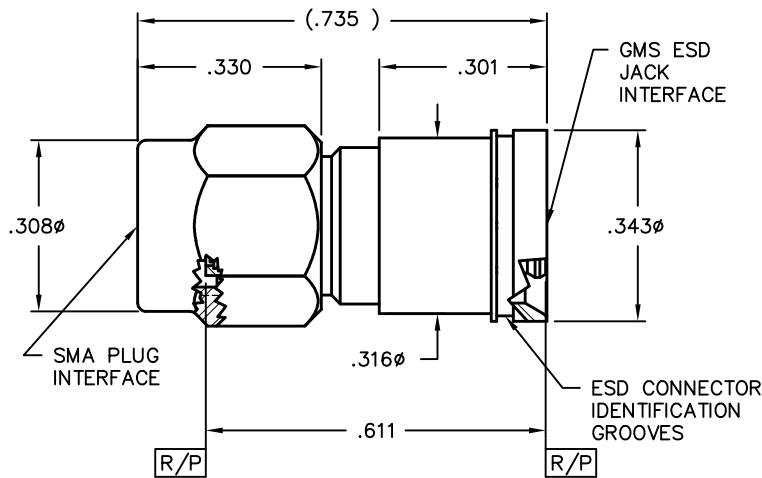
GMS ESD Jack to SMA Plug

Catalog Number

02018-317-3

VSWR (TYP)

1.20:1 to 18 GHz, 1.30:1 to 23 GHz



GMS ESD Plug to SMA Plug

Catalog Number

02018-316-3

VSWR (TYP)

1.20:1 to 18 GHz, 1.30:1 to 23 GHz

