

**GMS ESD Adapters**

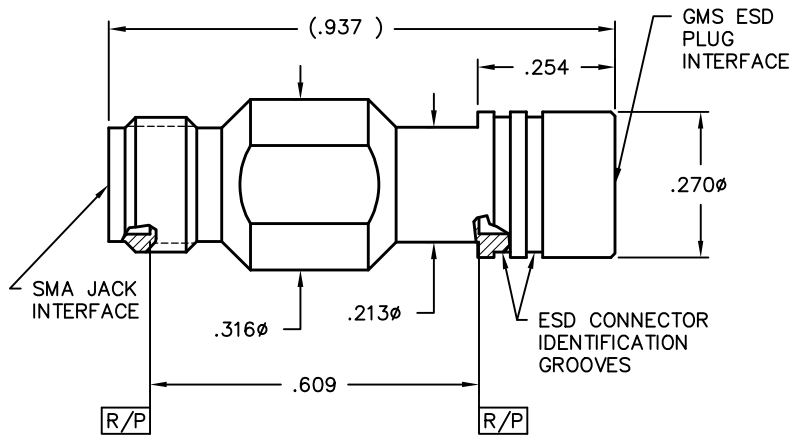
**GMS ESD Male Plug to SMA Jack**

Catalog Number

02018-318-3

VSWR (TYP)

1.20:1 to 18 GHz, 1.30:1 to 23 GHz



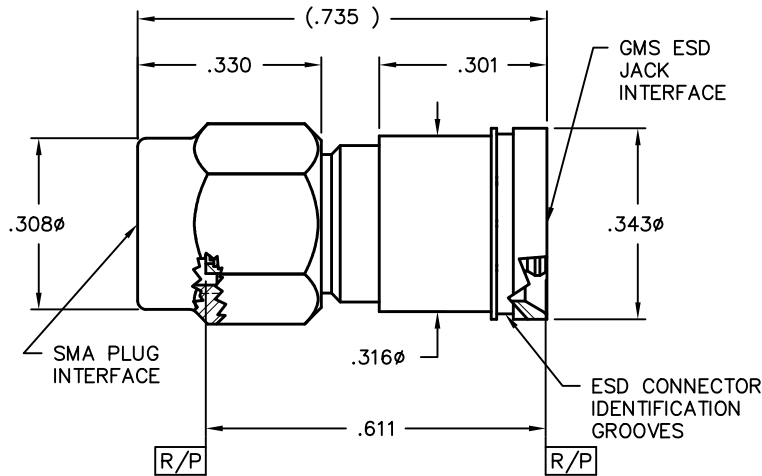
**GMS ESD Jack to SMA Plug**

Catalog Number

02018-317-3

VSWR (TYP)

1.20:1 to 18 GHz, 1.30:1 to 23 GHz



**GMS ESD Plug to SMA Plug**

Catalog Number

02018-316-3

VSWR (TYP)

1.20:1 to 18 GHz, 1.30:1 to 23 GHz

