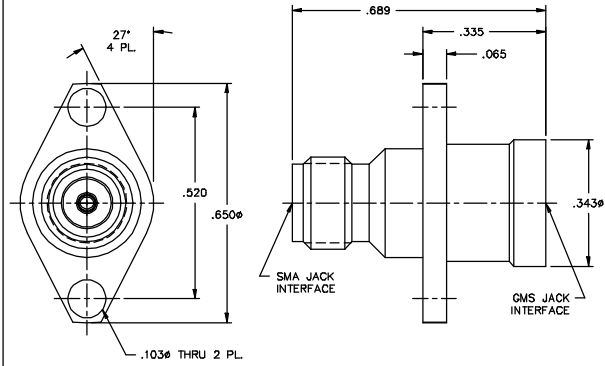


DATE REVISED: 3/1/02

CATALOG NUMBER
00218-103-3

MATERIAL AND FINISH

ADAPTER HOUSING: CRES 303; PASSIVATED
CENTER CONTACT AND BeCu; GOLD PLATE 50-100 MICRONS
OUTER CONDUCTOR: OVER NICKEL PLATE 50 MICRONS MIN.
DIELECTRIC: VIRGIN PTFE (TEFLON)



This drawing and any data contained herein is the property of Corning Gilbert Inc., and constitutes and contains proprietary and confidential information. Neither receipt nor possession of this drawing confers or transfers any right to duplicate, use or disclose any information contained herein except as expressly authorized by Corning Gilbert Inc.

SMA JACK TO GMS JACK ADAPTER		IDENT CODE: 82316	Corning Gilbert Inc.
		REVISION: C	
SOURCE FILE: MECR# 767	DWG. NO.: OL-00218-103-3	ASSY. PROC.: -	