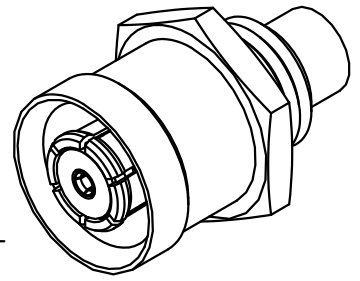
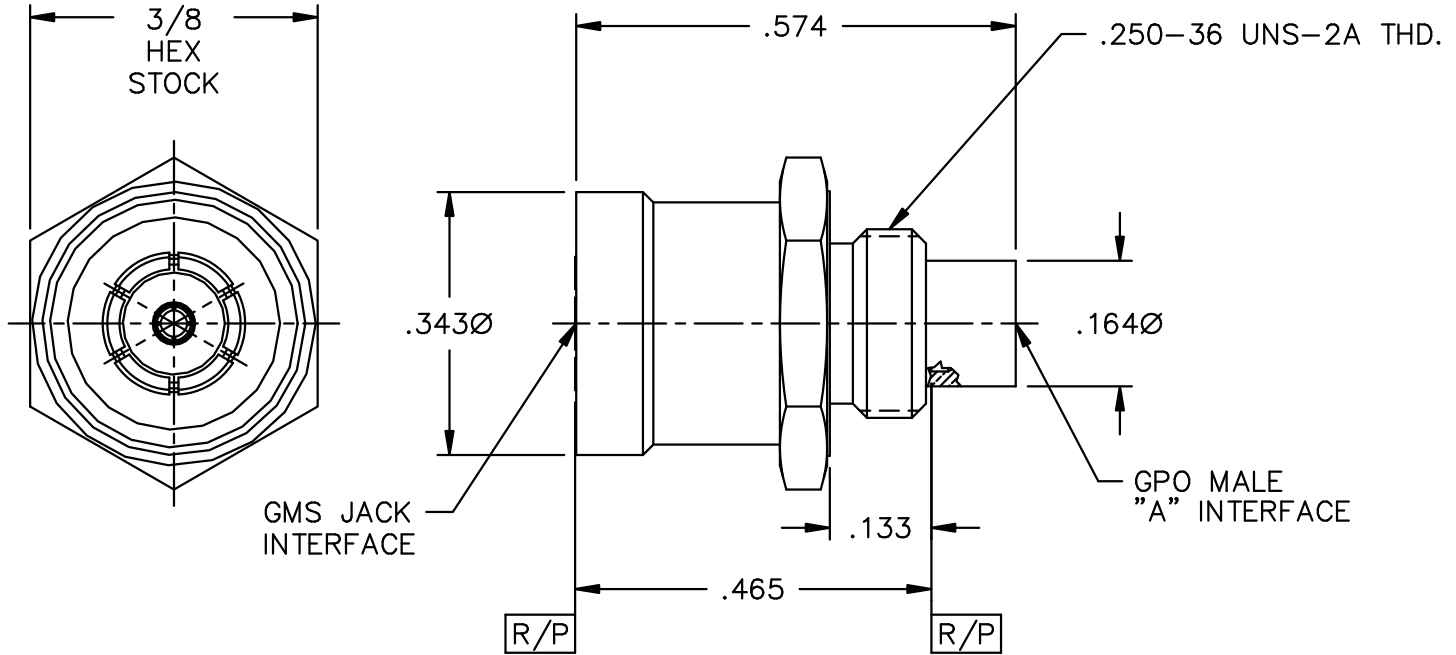


CATALOG NUMBER	"A" INTERFACE
1A3H1-0521-01	FULL DETENT
1A4H1-0521-01	LIMITED DETENT
1A5H1-0521-01	SMOOTH BORE

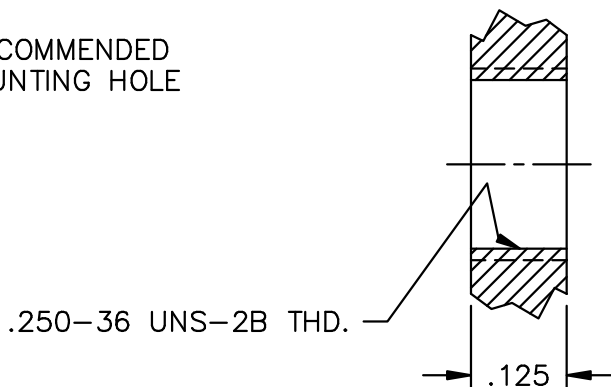


**MATERIAL AND FINISH**

GMS HOUSING: CRES 303; PASSIVATED  
 CENTER CONTACT AND JACK HOUSING: BeCu; GOLD PLATE 75 MICROINCHES TYPICAL OVER NICKEL PLATE 100 MICROINCHES TYPICAL  
 DIELECTRICS: VIRGIN PTFE



**RECOMMENDED MOUNTING HOLE**



This drawing and any data contained herein is the property of Corning Gilbert Inc., and constitutes and contains proprietary and confidential information. Neither receipt nor possession of this drawing confers or transfers any right to duplicate, use or disclose any information contained herein except as expressly authorized by Corning Gilbert Inc.

GMS JACK THREAD  
 MOUNT TO GPO MALE  
 ADAPTER (TAB DETENT)

IDENT CODE:  
 82316

REVISION: F

**Corning Gilbert Inc.**

SOURCE FILE: MECR# 2664

DWG. NO.: OL-1AXH1-0521-01

ASSY. PROC.: -