

This drawing and any data contained therein is the property of Gilbert Engineering Co., Inc., and constitutes and contains proprietary and confidential information. Neither receipt nor possession of this drawing confers or transfers any right to duplicate, use, or disclose any information contained herein except as expressly authorized by Gilbert Engineering Co. Inc.

DWG. NO. SS-7063-5

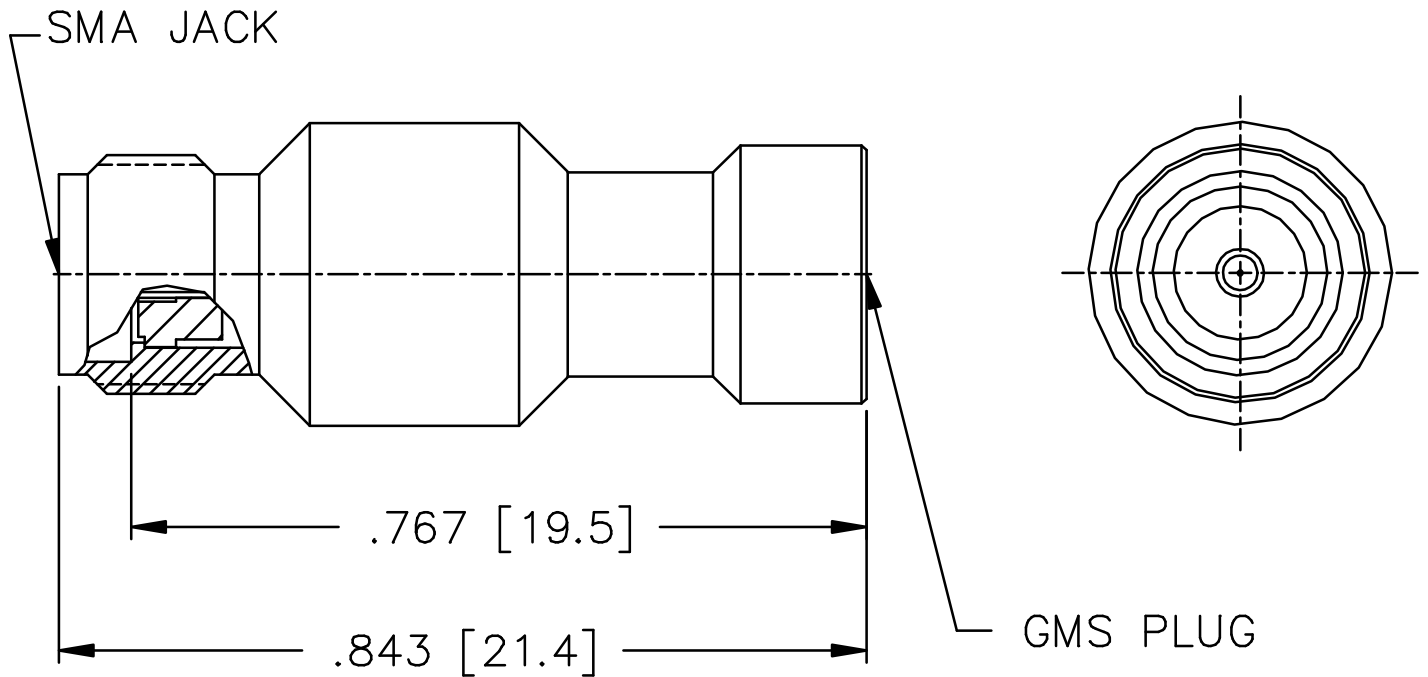
PART REV. A

MATERIAL AND FINISH

HOUSING: CRES 303 PER ASTM A484 & ASTM A582 OR ASTM A555 & ASTM A581

CENTER CONTACT: BERYLLIUM COPPER PER ASTM B196, OR ASTM B197 & UNS #C17300

DIELECTRICS: TFE FLUOROCARBON PER MIL-P-19468A AND FED SPEC L-P-403



ALL DIMENSIONS ARE IN INCHES AND [MILLIMETERS]

CAT. NO. 00218-301-3

CODE IDENT NO. 82316

GILBERT ENGINEERING CO., INC.

BY		DATE		TITLE SMA JACK TO GMS PLUG 38999 ADAPTOR	
DRAWN DES		1-21-92			
CHECKED				DWG. NO. SS-7063-5	
SHT. 4 OF				REV A	