

CATALOG NUMBER

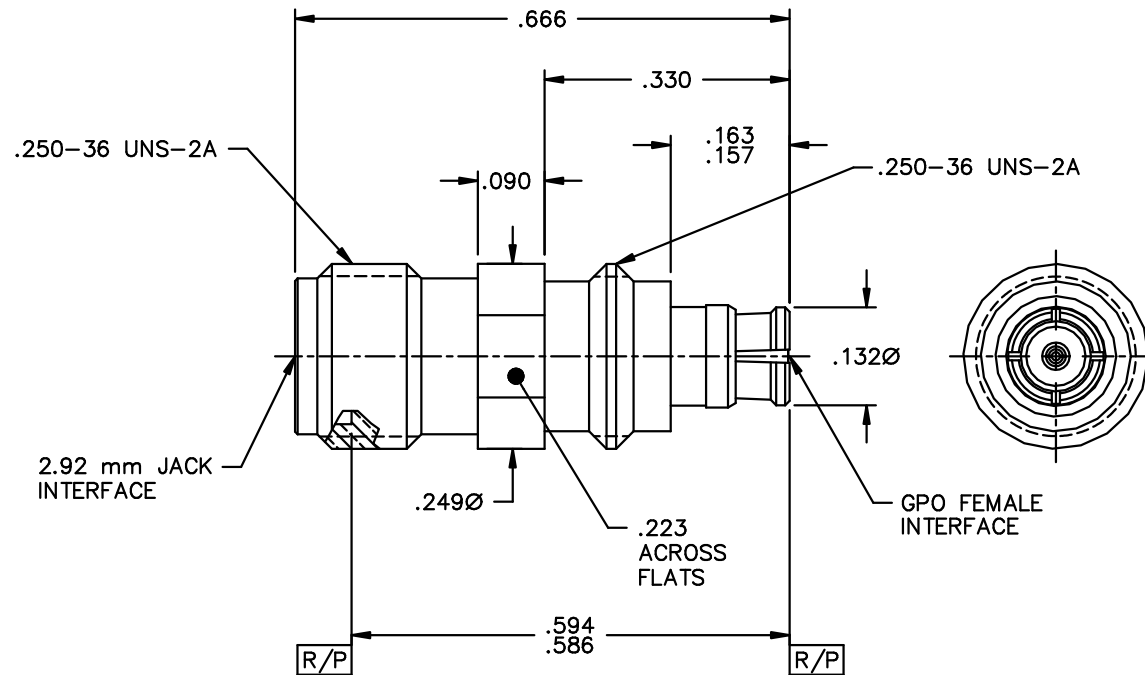
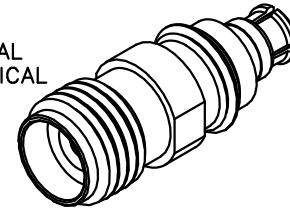
00117-105-1

MATERIAL AND FINISH

CONTACT, GPO HOUSING,
2.92 mm HOUSING
AND ANTI-ROCK RING:BeCu; GOLD PLATE 75 MICROINCHES TYPICAL
OVER NICKEL PLATE 100 MICROINCHES TYPICAL

DIELECTRICS:

VIRGIN PTFE



This drawing and any data contained herein is the property of Corning Gilbert Inc., and constitutes and contains proprietary and confidential information. Neither receipt nor possession of this drawing confers or transfers any right to duplicate, use or disclose any information contained herein except as expressly authorized by Corning Gilbert Inc.

GPO FEMALE
TO 2.92 mm
JACK ADAPTERIDENT CODE:
82316

REVISION: G

Corning Gilbert Inc.

SOURCE FILE: MECR# 613

DWG. NO.: OL-00117-105-1

ASSY. PROC.: -