

CATALOG NUMBER

1A1D1-0501-01

**Part # 00117-105-1 is Identical to Part # 1A1D1-0501-01**

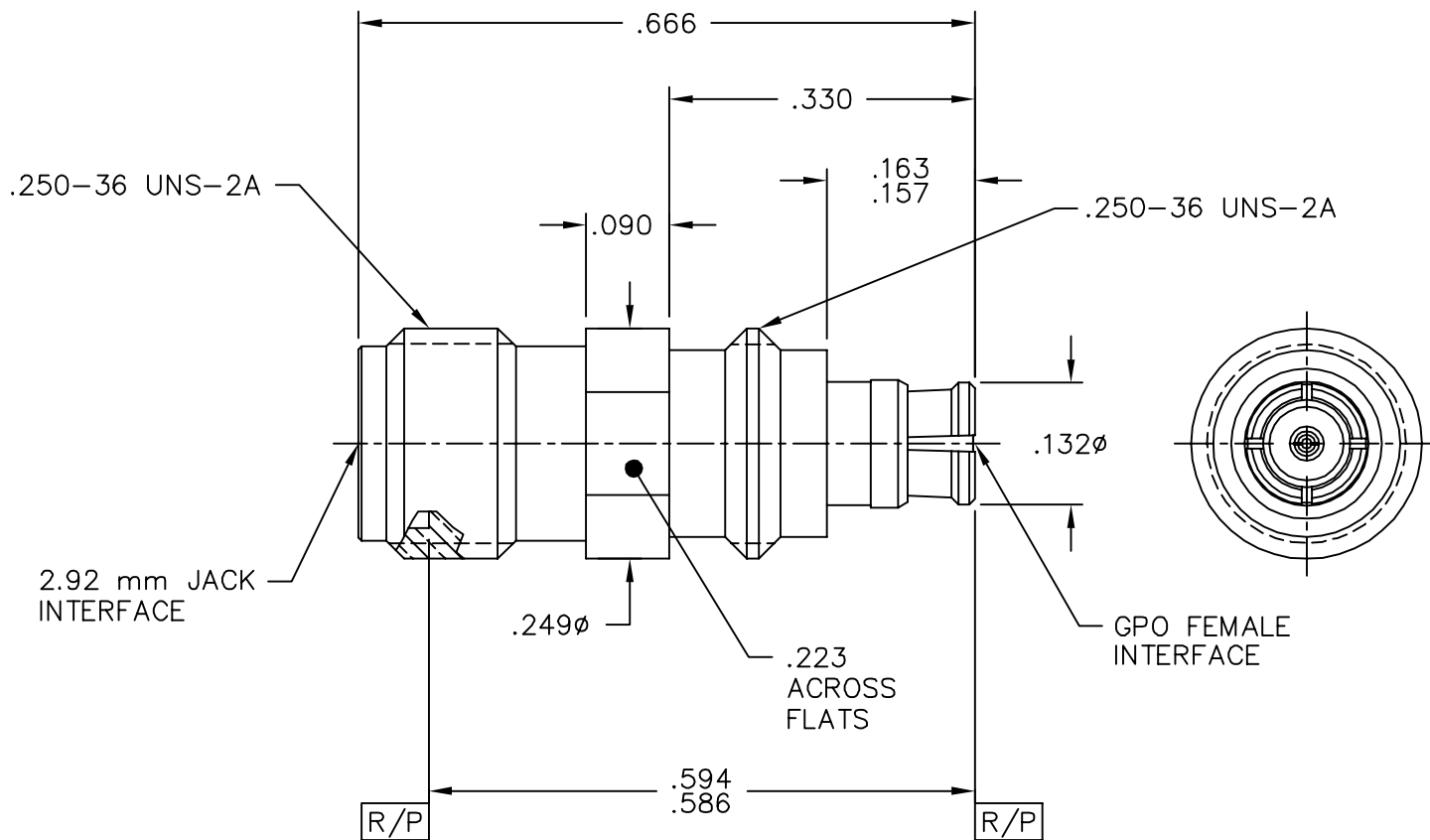
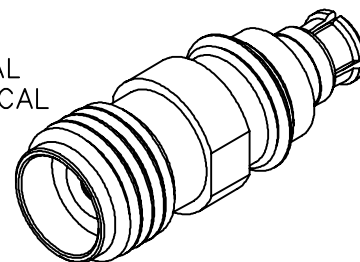
MATERIAL AND FINISH

CONTACT, GPO HOUSING,  
2.92 mm HOUSING  
AND ANTI-ROCK RING:

BeCu; GOLD PLATE 75 MICROINCHES TYPICAL  
OVER NICKEL PLATE 100 MICROINCHES TYPICAL

DIELECTRICS:

VIRGIN PTFE



This drawing and any data contained herein is the property of Corning Gilbert Inc., and constitutes and contains proprietary and confidential information. Neither receipt nor possession of this drawing confers or transfers any right to duplicate, use or disclose any information contained herein except as expressly authorized by Corning Gilbert Inc.

GPO FEMALE  
TO 2.92 mm  
JACK ADAPTER

IDENT CODE:

82316

REVISION: G

**Corning Gilbert Inc.**

SOURCE FILE: MECR# 2613

DWG. NO.: OL-1A1D1-0501-01

ASSY. PROC.: —