

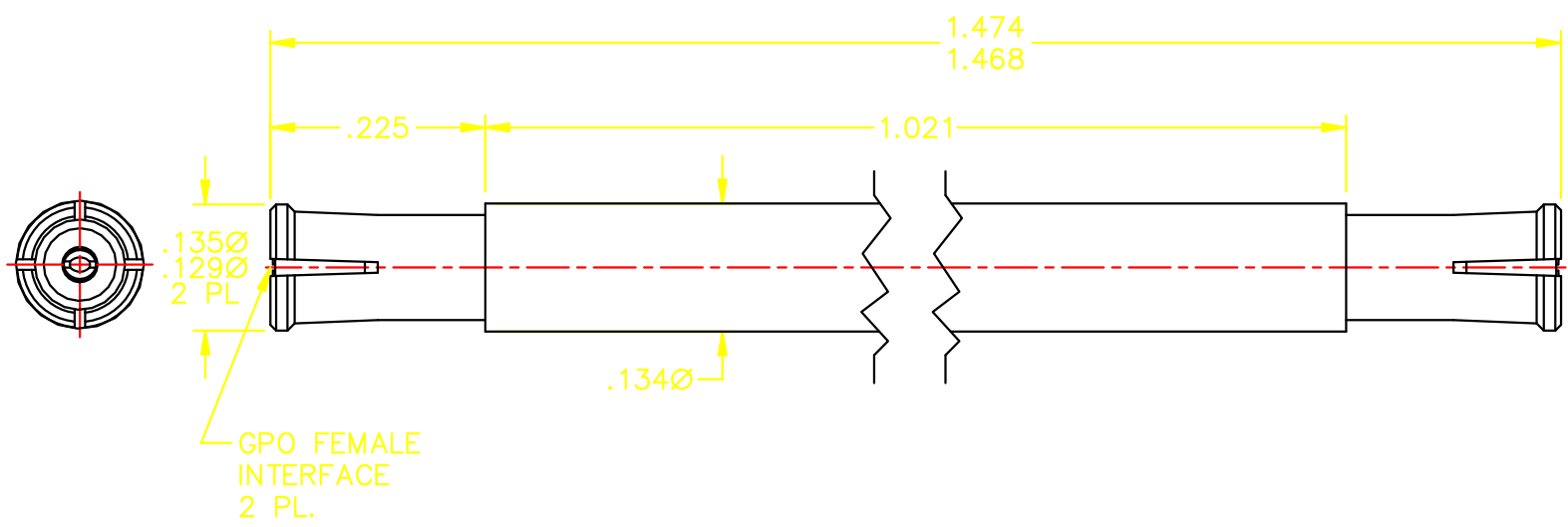
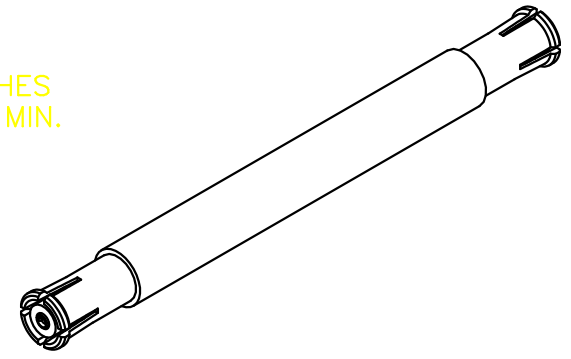
CATALOG NUMBER

A1A1-0001-42

MATERIAL AND FINISH

CENTER CONTACT AND HOUSING:
DIELECTRIC:

BeCu; GOLD PLATE 50-100 MICROINCHES
OVER NICKEL PLATE 50 MICROINCHES MIN.
VIRGIN PTFE



This drawing and any data contained herein is the property of Corning Gilbert Inc., and constitutes and contains proprietary and confidential information. Neither receipt nor possession of this drawing confers or transfers any right to duplicate, use or disclose any information contained herein except as expressly authorized by Corning Gilbert Inc.

GPO BLINDMATE INTERCONNECT (1.471 LONG)		IDENT CODE: 82316	Corning Gilbert Inc.
		REVISION: A	
SOURCE FILE: SK-3029	DWG. NO.: OL-A1A1-0001-42	ASSY. PROC.: -	