

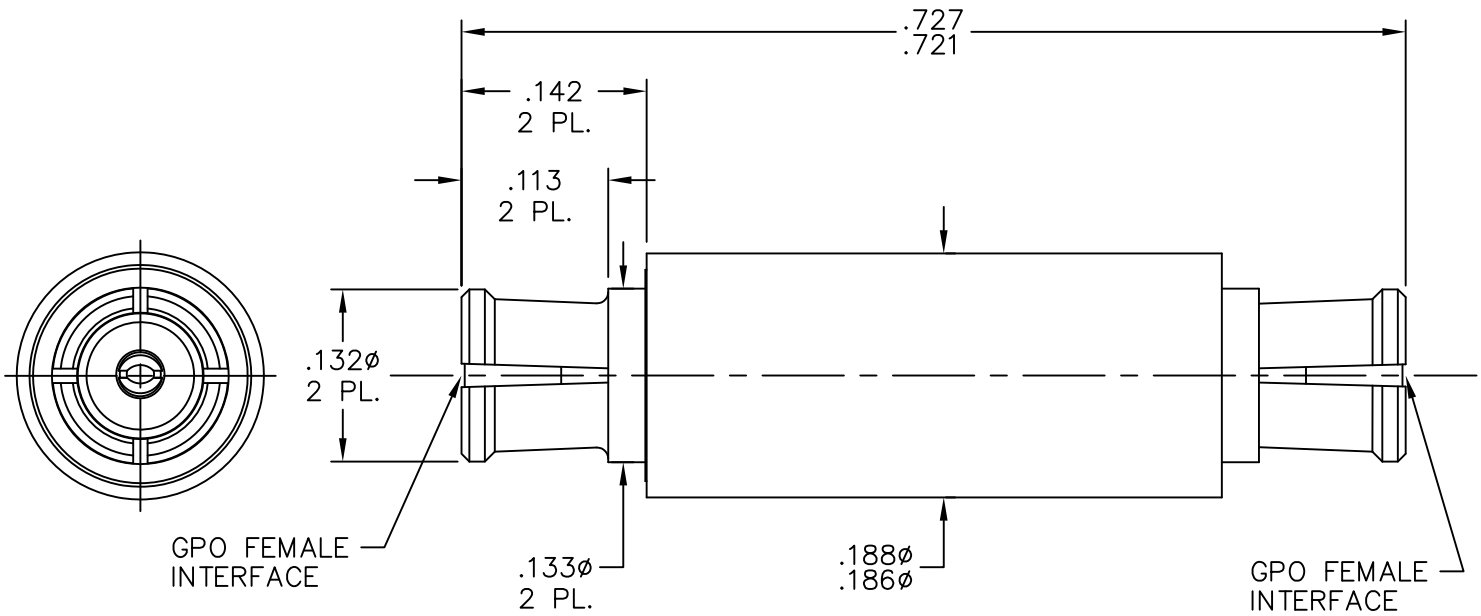
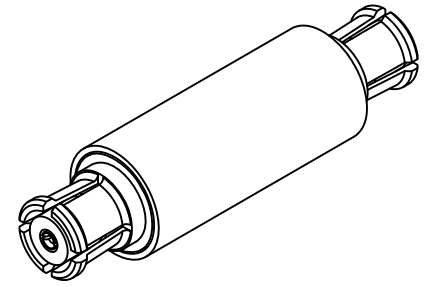
CATALOG NUMBER

0119-547-1

MATERIAL AND FINISH

HOUSINGS AND  
CENTER CONTACT:  
DIELECTRIC:

BeCu; GOLD PLATE 50-100 MICROINCHES  
OVER NICKEL PLATE 50 MICROINCHES MIN.  
VIRGIN PTFE



This drawing and any data contained herein is the property of Corning Gilbert Inc., and constitutes and contains proprietary and confidential information. Neither receipt nor possession of this drawing confers or transfers any right to duplicate, use or disclose any information contained herein except as expressly authorized by Corning Gilbert Inc.

GPO BLINDMATE  
INTERCONNECT

IDENT CODE:  
82316

REVISION: D

Corning Gilbert Inc.

SOURCE FILE: SK-0823

DWG. NO.: OL-0119-547-1

ASSY. PROC.: -