

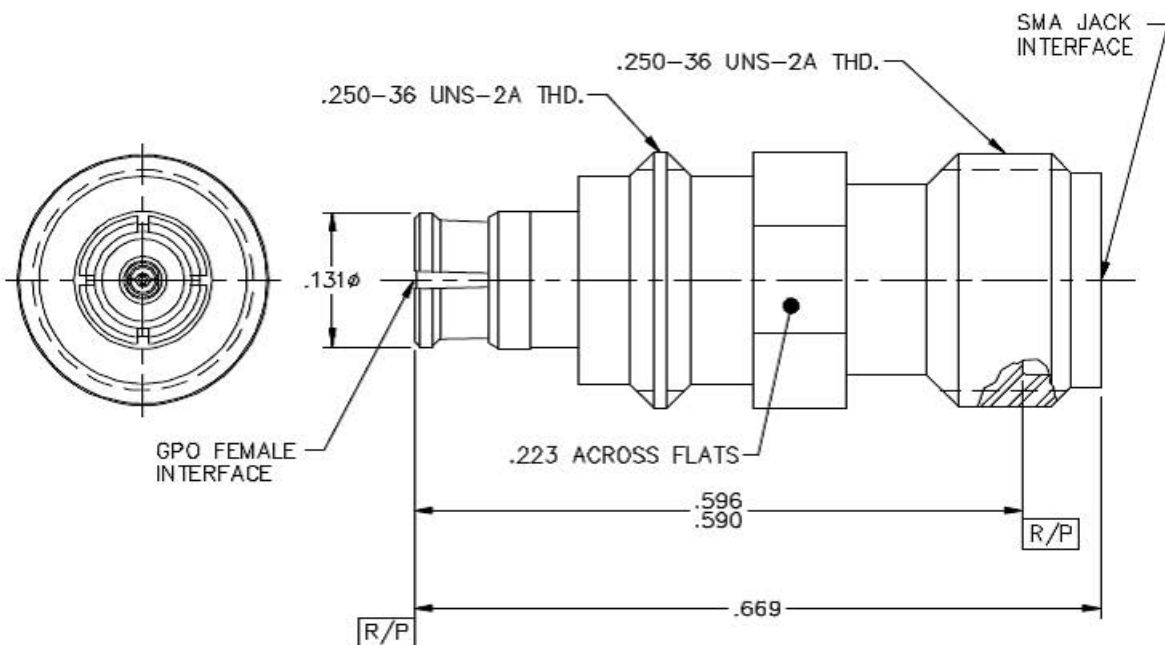
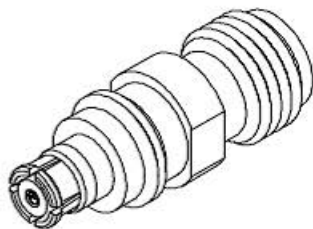
CATALOG NUMBER

00219-105-3

MATERIAL AND FINISH

HOUSING:  
 CENTER CONTACT,  
 ADAPTER, AND  
 ANTI-ROCK RING:  
 DIELECTRIC:

CRES 303; PASSIVATED  
 BeCu; GOLD PLATE 50-100 MICROINCHES  
 OVER NICKEL PLATE 50 MICROINCHES MIN.  
 VIRGIN PTFE



This drawing and any data contained herein is the property of Corning Gilbert Inc., and constitutes and contains proprietary and confidential information. Neither receipt nor possession of this drawing confers or transfers any right to duplicate, use or disclose any information contained herein except as expressly authorized by Corning Gilbert Inc.

GPO FEMALE TO  
 SMA JACK  
 ADAPTER

IDENT CODE:  
 82316

REVISION: M

**Corning Gilbert Inc.**

SOURCE FILE: MECR# 916

DWG. NO.: OL-00219-105-3

ASSY. PROC.: -