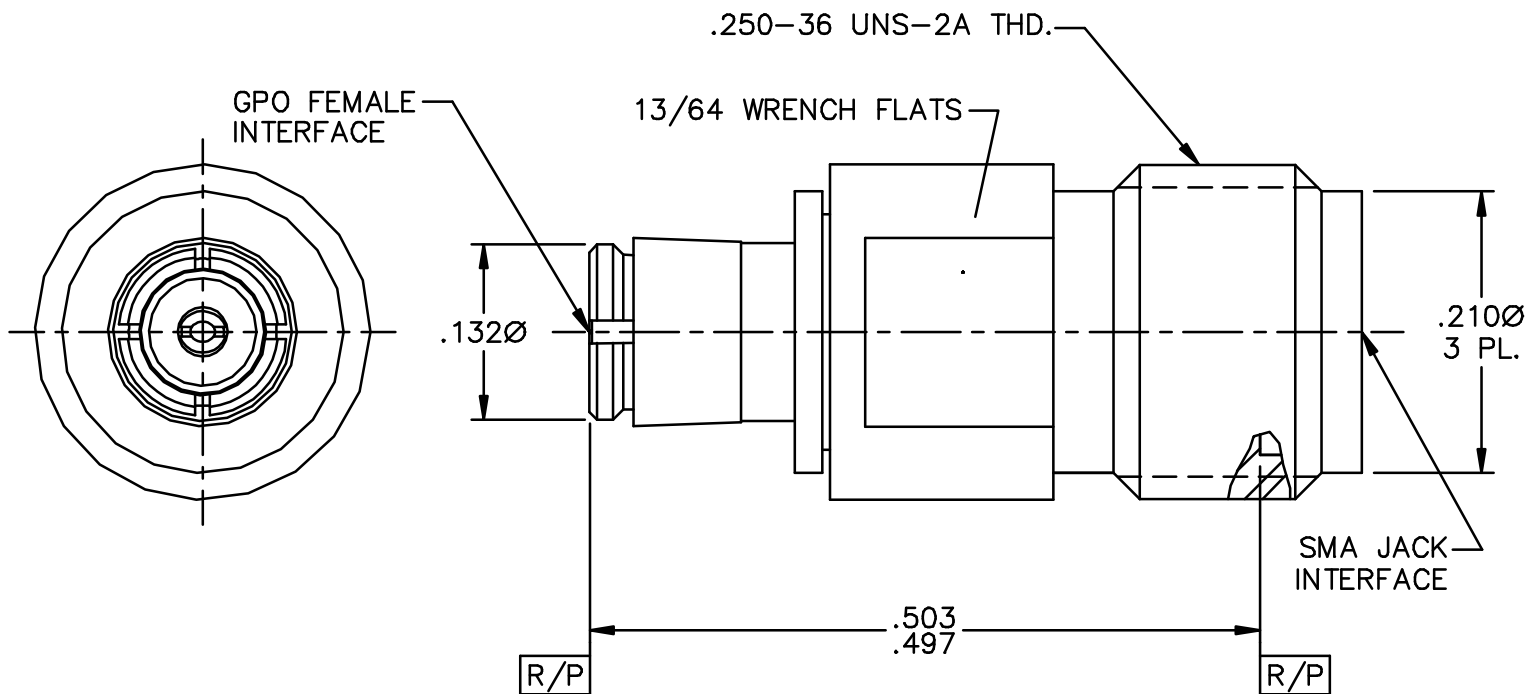
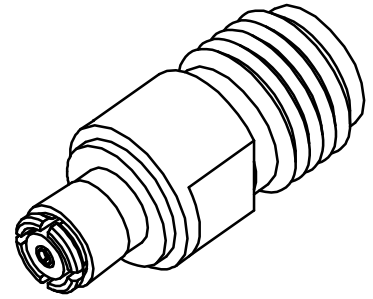


CATALOG NUMBER

00219-106-3

MATERIAL AND FINISH

JACK HOUSING: CRES 303; PASSIVATED
 PIN CONTACT AND ADAPTER: BeCu; GOLD PLATE 50-100 MICRONS OVER NICKEL PLATE 50 MICRONS MIN.
 DIELECTRIC: VIRGIN PTFE
 EMI RING: CONDUCTIVE ELASTOMER



This drawing and any data contained herein is the property of Corning Gilbert Inc., and constitutes and contains proprietary and confidential information. Neither receipt nor possession of this drawing confers or transfers any right to duplicate, use or disclose any information contained herein except as expressly authorized by Corning Gilbert Inc.

GPO FEMALE TO
SMA JACK ADAPTER
WITH EMI GASKET

IDENT CODE:
82316

REVISION: H

Corning Gilbert Inc.

SOURCE FILE: SK-1561

DWG. NO.: OL-00219-106-3

ASSY. PROC.: -