

CATALOG NUMBER

1A1F2-0503-01

MATERIAL AND FINISH

PLUG HOUSING AND
COUPLING NUT:

CRES 303; PASSIVATED

PIN CONTACT,
ADAPTER HOUSING AND
ANTI-ROCK RING:

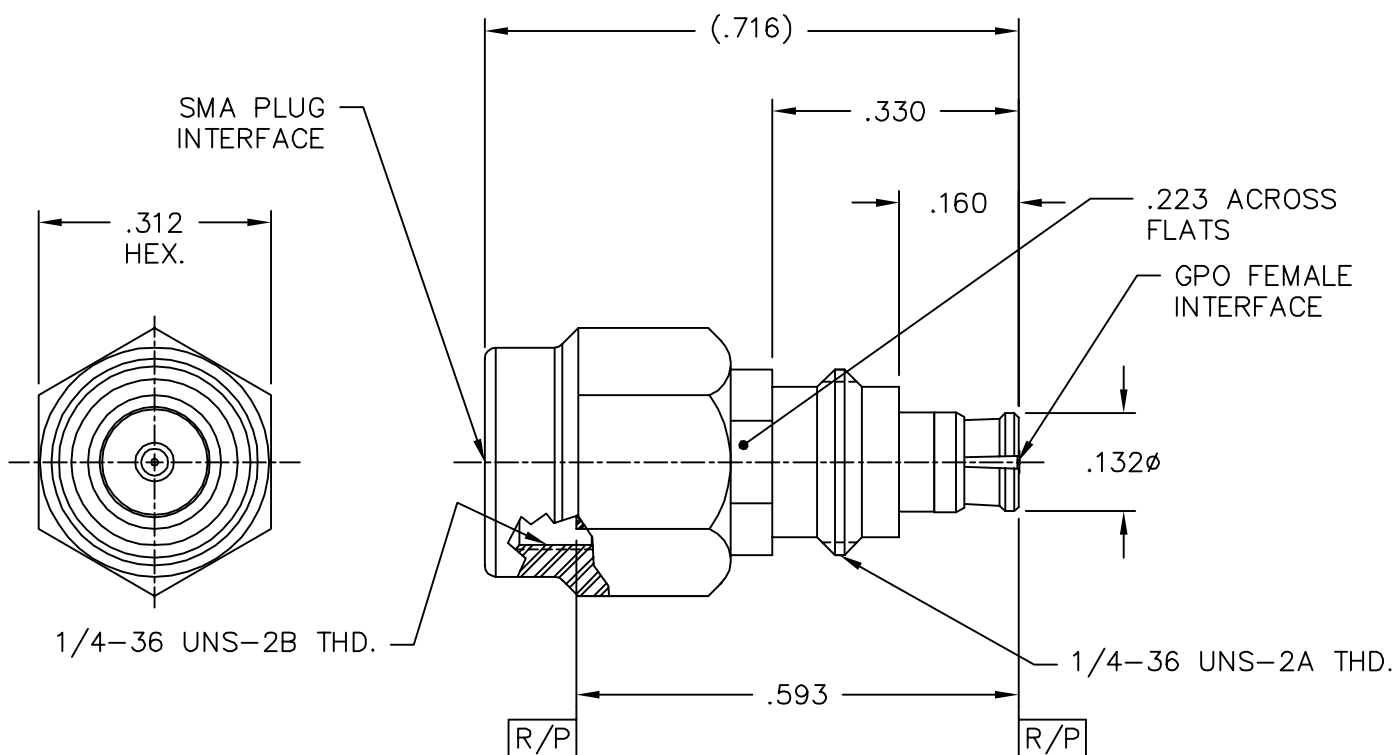
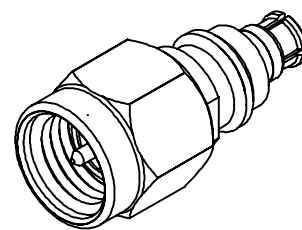
BeCu; GOLD PLATE 50-100 MICRONS
OVER NICKEL PLATE 50 MICRONS MIN.

DIELECTRICS:

VIRGIN PTFE (TEFLON)

RETAINING RING:

BeCu



This drawing and any data contained herein is the property of Corning Gilbert Inc., and constitutes and contains proprietary and confidential information. Neither receipt nor possession of this drawing confers or transfers any right to duplicate, use or disclose any information contained herein except as expressly authorized by Corning Gilbert Inc.

GPO FEMALE TO
SMA PLUG ADAPTER

IDENT CODE:
82316

REVISION: A

Corning Gilbert Inc.

SOURCE FILE: MECR# 2423

DWG. NO.: OL-1A1F2-0503-01

ASSY. PROC.: -