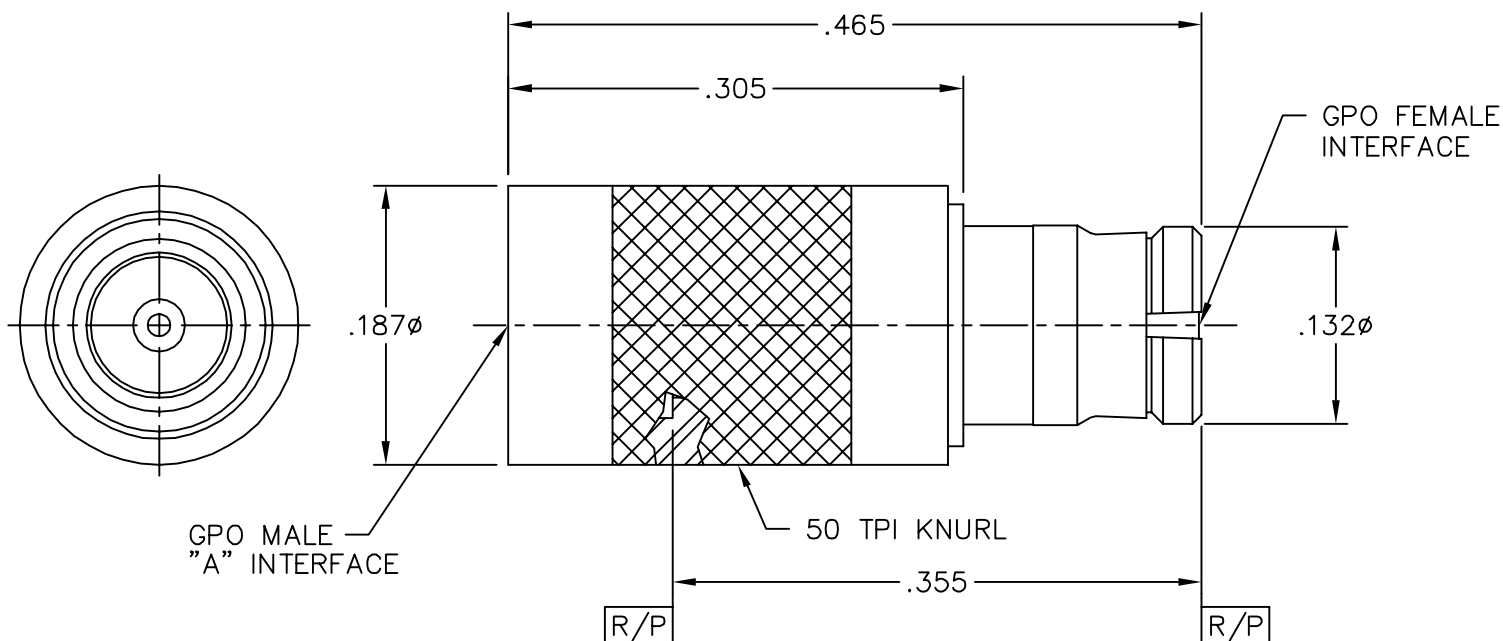
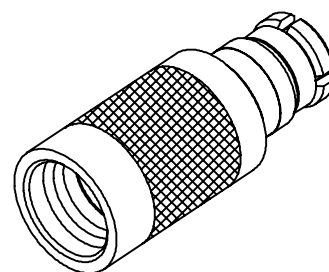


CATALOG NUMBER	"A" INTERFACE
A1A3-0503-01	FULL DETENT
A1A4-0503-01	LIMITED DETENT
A1A5-0503-01	SMOOTH BORE

MATERIAL AND FINISH

HOUSING: CRES 303; PASSIVATED  
 CENTER CONTACT, EMI/ANTI-ROCK: BeCu; GOLD PLATE 50-100 MICROINCHES  
 RING, FEMALE HOUSING: OVER NICKEL PLATE 50 MICRO INCHES MIN.  
 DIELECTRICS: VIRGIN PTFE (TEFLON)



This drawing and any data contained herein is the property of Corning Gilbert Inc., and constitutes and contains proprietary and confidential information. Neither receipt nor possession of this drawing confers or transfers any right to duplicate, use or disclose any information contained herein except as expressly authorized by Corning Gilbert Inc.

GPO FEMALE TO  
 GPO MALE ADAPTER  
 (TAB DETENT)

IDENT CODE:

82316

REVISION: B

**Corning Gilbert Inc.**

SOURCE FILE: MECR# 1898

DWG. NO.: OL-A1AX-0503-01

ASSY. PROC.: —