

CATALOG NUMBER

0119-843-3

MATERIAL AND FINISH

SHROUD AND HOUSING:

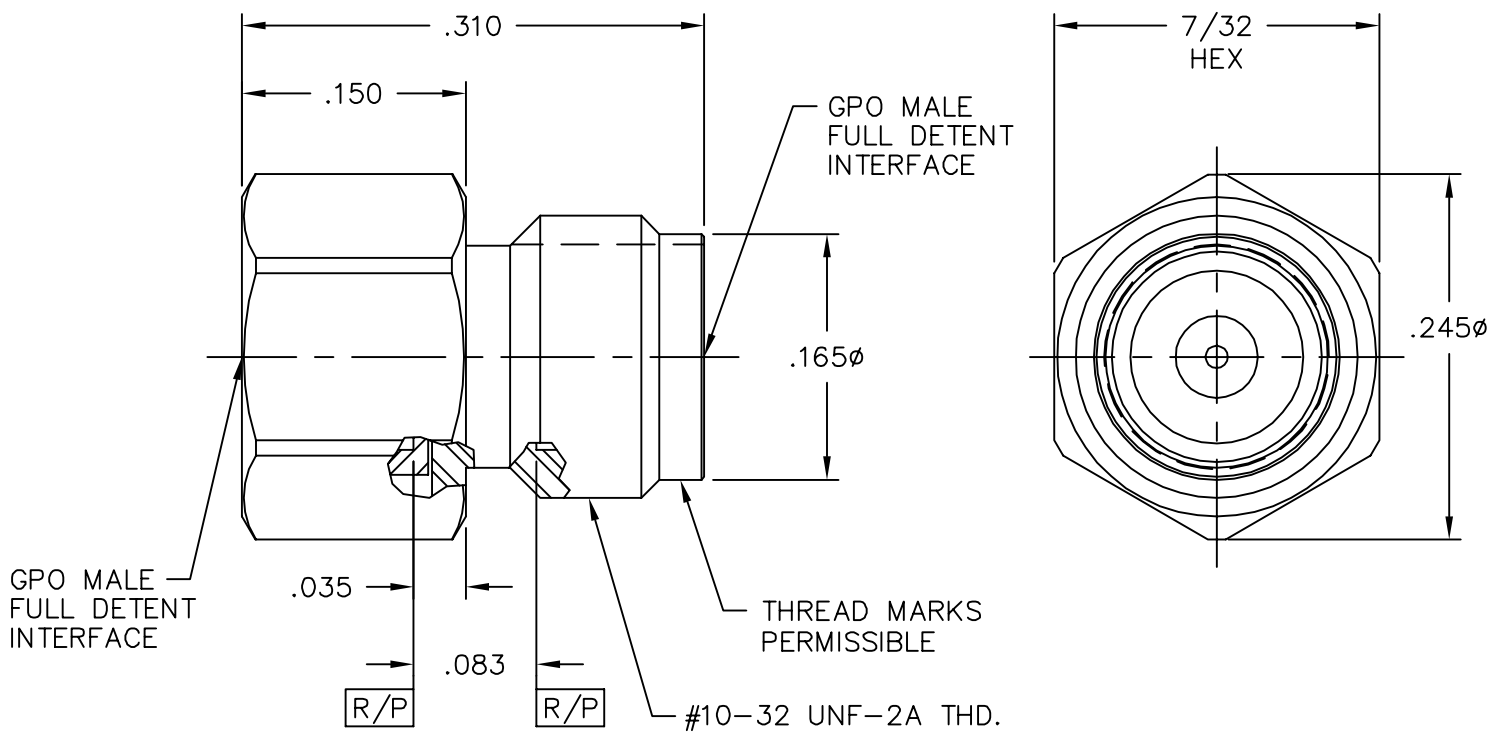
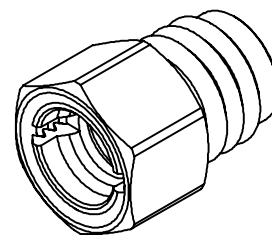
CRES 303; PASSIVATED

FEED-THRU HOUSING:

IRON-NICKEL-COBALT SEALING ALLOY (KOVAR) PER ASTM F 15; GOLD PLATE

FEED-THRU DIELECTRIC:

CORNING 7070 GLASS OR EQUIVALENT



This drawing and any data contained herein is the property of Corning Gilbert Inc., and constitutes and contains proprietary and confidential information. Neither receipt nor possession of this drawing confers or transfers any right to duplicate, use or disclose any information contained herein except as expressly authorized by Corning Gilbert Inc.

GPO MALE FULL DETENT ADAPTER WITH FEED-THRU (NON-HERMETIC)

IDENT CODE:

82316

REVISION: E

Corning Gilbert Inc.

SOURCE FILE: MECR# 791

DWG. NO.:

OL-0119-843-3

ASSY. PROC.:

-