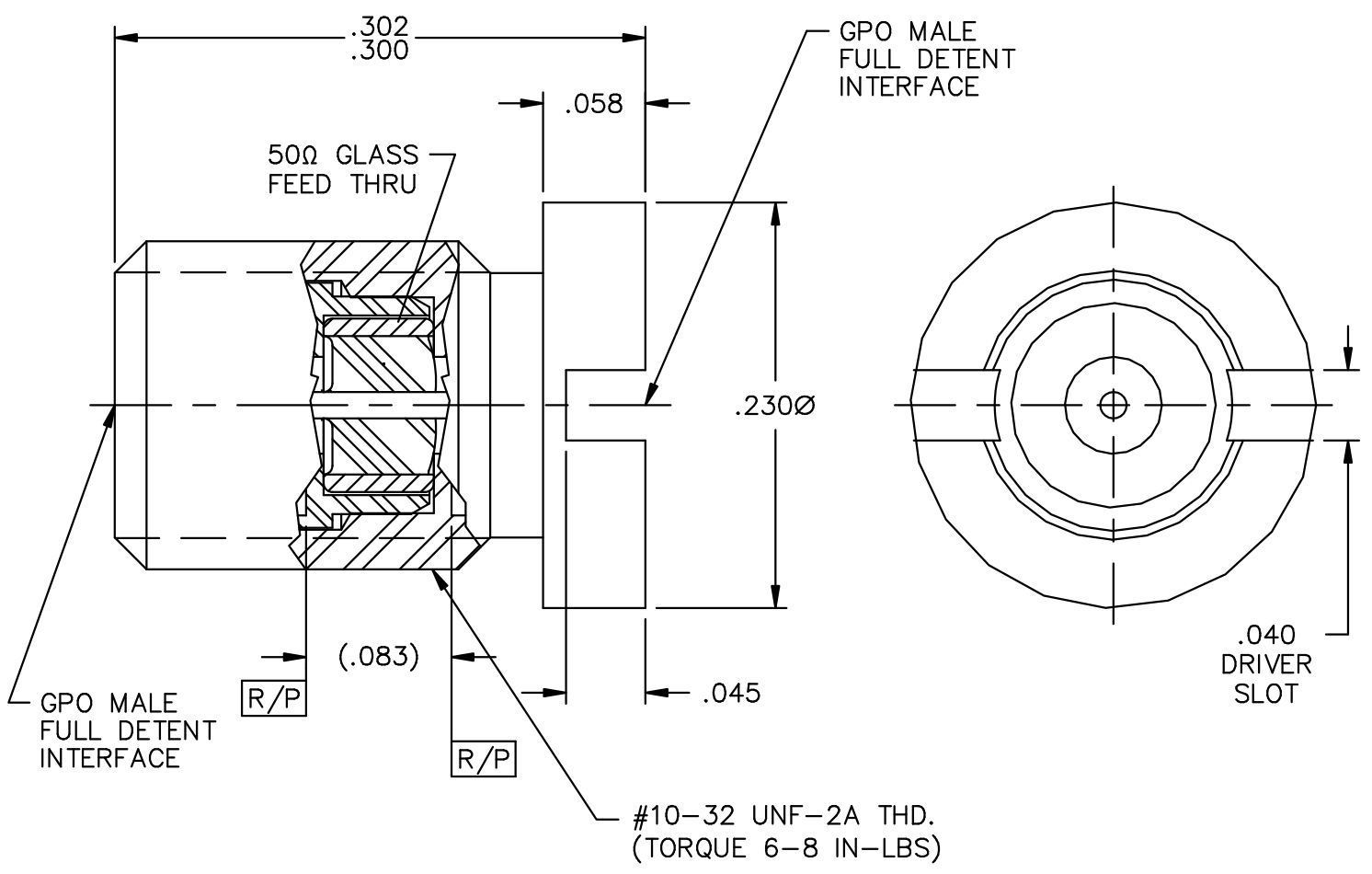


CATALOG NUMBER  
0119-851-3

MATERIAL AND FINISH

HOUSINGS: CRES 303; PASSIVATED  
 OUTER RING AND CENTER PIN: IRON-NICKEL-COBALT SEALING ALLOY (KOVAR) PER ASTM F 15; GOLD PLATE  
 DIELECTRIC: CORNING 7070 GLASS



This drawing and any data contained herein is the property of Corning Gilbert Inc., and constitutes and contains proprietary and confidential information. Neither receipt nor possession of this drawing confers or transfers any right to duplicate, use or disclose any information contained herein except as expressly authorized by Corning Gilbert Inc.

GPO MALE FULL DETENT TO  
 GPO MALE FULL DETENT THREAD-IN  
 ADAPTER (NON-HERMETIC)

IDENT CODE:  
 82316  
 REVISION: C1

**Corning Gilbert Inc.**

SOURCE FILE: MECR# 868

DWG. NO.:

SS-7603-1

ASSY. PROC.:

-