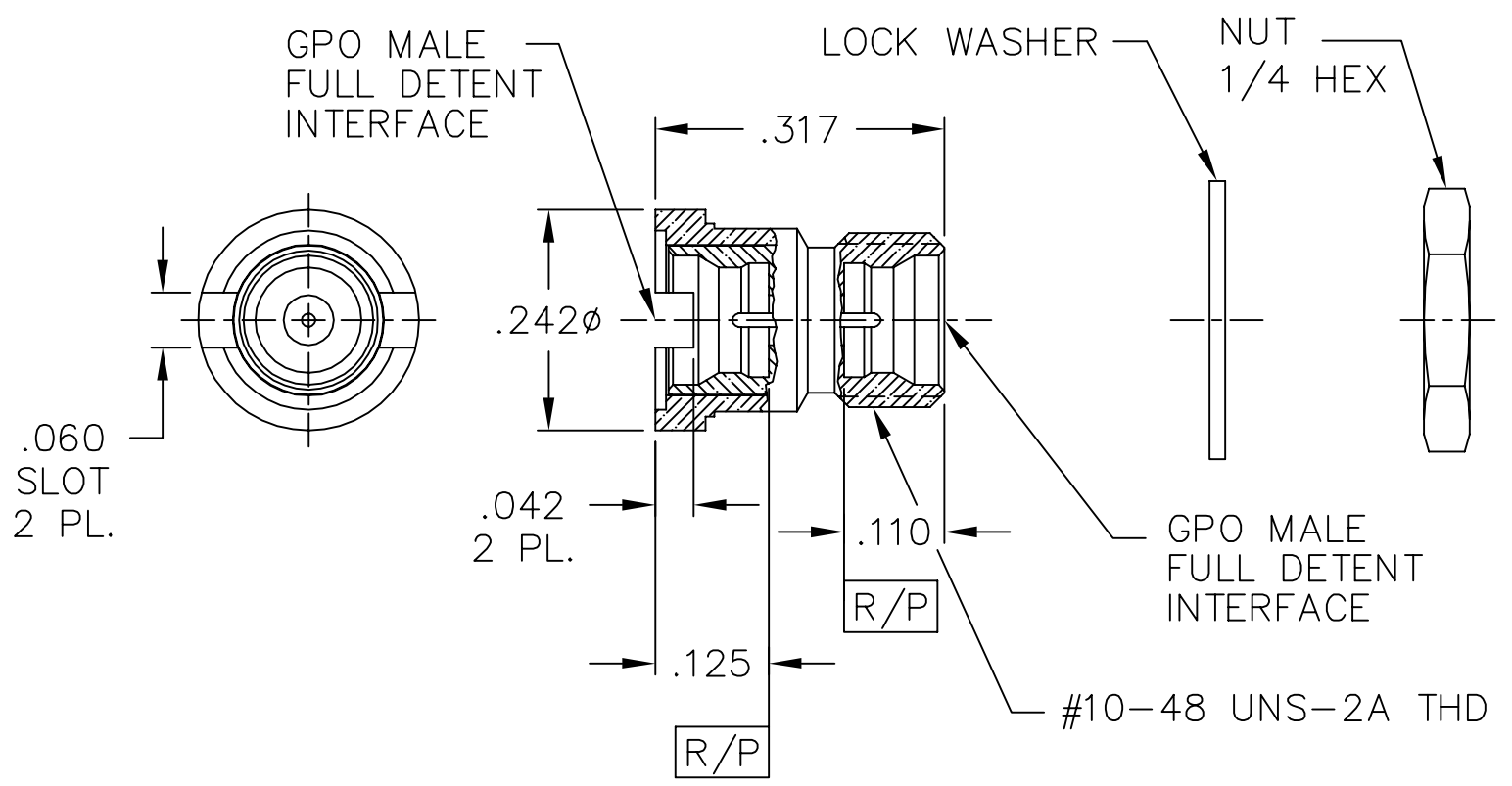


This drawing and any data contained therein is the property of Gilbert Engineering Co., Inc., and constitutes and contains proprietary and confidential information. Neither receipt nor possession of this drawing confers or transfers any right to duplicate, use, or disclose any information contained herein except as expressly authorized by Gilbert Engineering Co. Inc.

MATERIAL AND FINISH

GPO HOUSINGS:	BERYLLIUM COPPER PER ASTM B196 AND/OR ASTM B197. GOLD PLATE PER MIL-G-45204; TYPE I, GRADE C, CLASS 1.
OUTER RING AND CENTER PIN:	IRON-NICKEL-COBALT SEALING ALLOY (KOVAR) PER ASTM F15-78. GOLD PLATE PER MIL-G-45204; TYPE 1, GRADE C, CLASS 1. OVER NICKEL PER QQ-N-290.
DIELECTRIC:	CORNING 7070 GLASS.
WASHER:	400 SERIES STAINLESS STEEL.
NUT:	CRES 303 PER ASTM A 484 AND ASTM A 582 OR ASTM A 555 AND ASTM A 581. PASSIVATE PER MIL-F-14072 E 300.



ALL DIMENSIONS ARE IN INCHES

CAT. NO. 0119-783-1

CODE IDENT NO. 82316

GILBERT ENGINEERING CO., INC.

BY	DATE
DRAWN: REL	6/23/93
CHECKED:	
SHT. 1 OF 1	

TITLE	OUTLINE DRAWING FOR GPO MALE FULL DETENT TO GPO MALE FULL DETENT THREAD-IN HERMETIC FEED THROUGH
DWG. NO.	SS-7275-1
REV	F