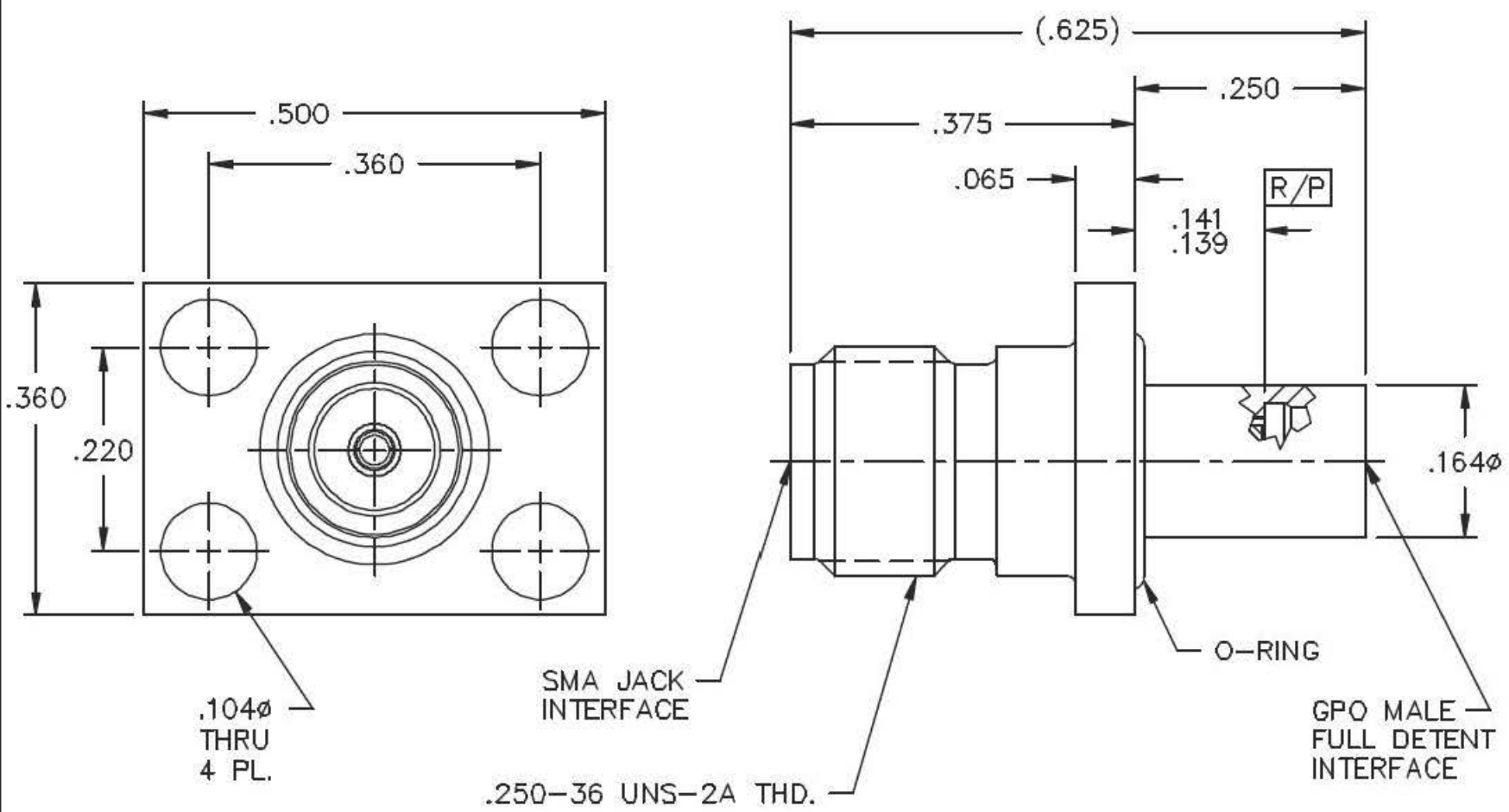
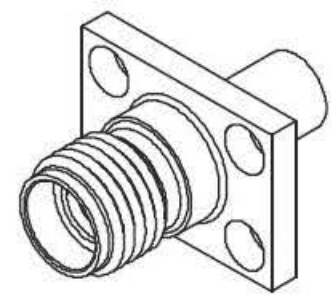


CATALOG NUMBER

00219-118-3

MATERIAL AND FINISH

HOUSING: CRES 303; PASSIVATED
 CENTER CONTACT: BeCu; GOLD PLATE 50-100 MICROINCHES OVER NICKEL PLATE 50 MICROINCHES MIN.
 DIELECTRICS: VIRGIN PTFE (TEFLON)
 O-RING: SILICONE RUBBER



This drawing and any data contained herein is the property of Corning Gilbert Inc., and constitutes and contains proprietary and confidential information. Neither receipt nor possession of this drawing confers or transfers any right to duplicate, use or disclose any information contained herein except as expressly authorized by Corning Gilbert Inc.

SMA JACK 4 HOLE
 FLANGE MOUNT TO GPO MALE
 FULL DETENT ADAPTER

IDENT CODE:
 82316
 REVISION: C

Corning Gilbert Inc.