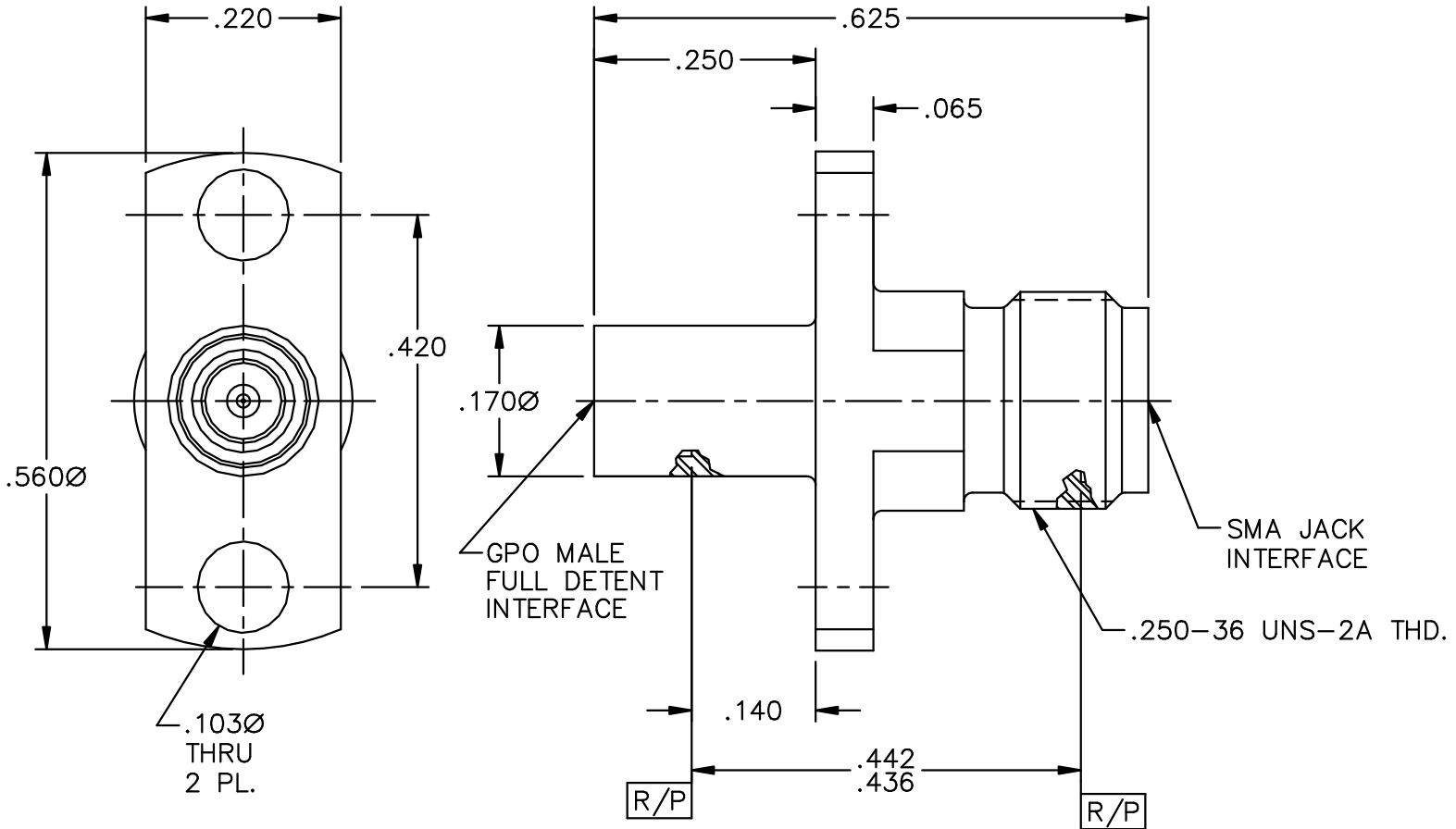
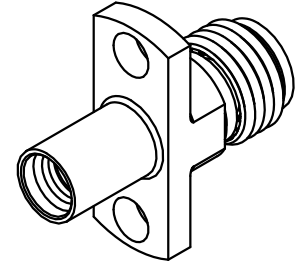


CATALOG NUMBER

00219-123-3

MATERIAL AND FINISH

HOUSING: CRES 303; PASSIVATED  
 CENTER CONTACT: BeCu; GOLD PLATE 75 MICROINCHES TYPICAL  
 OVER NICKEL PLATE 100 MICROINCHES TYPICAL  
 DIELECTRIC: VIRGIN PTFE



This drawing and any data contained herein is the property of Corning Gilbert Inc., and constitutes and contains proprietary and confidential information. Neither receipt nor possession of this drawing confers or transfers any right to duplicate, use or disclose any information contained herein except as expressly authorized by Corning Gilbert Inc.

SMA JACK TO GPO MALE  
 FULL DETENT 2 HOLE  
 FLANGE MOUNT ADAPTER

IDENT CODE:  
 82316

REVISION: F

**Corning Gilbert Inc.**

SOURCE FILE: MECR# 697

DWG. NO.:

SS-7125-3

ASSY. PROC.:

-