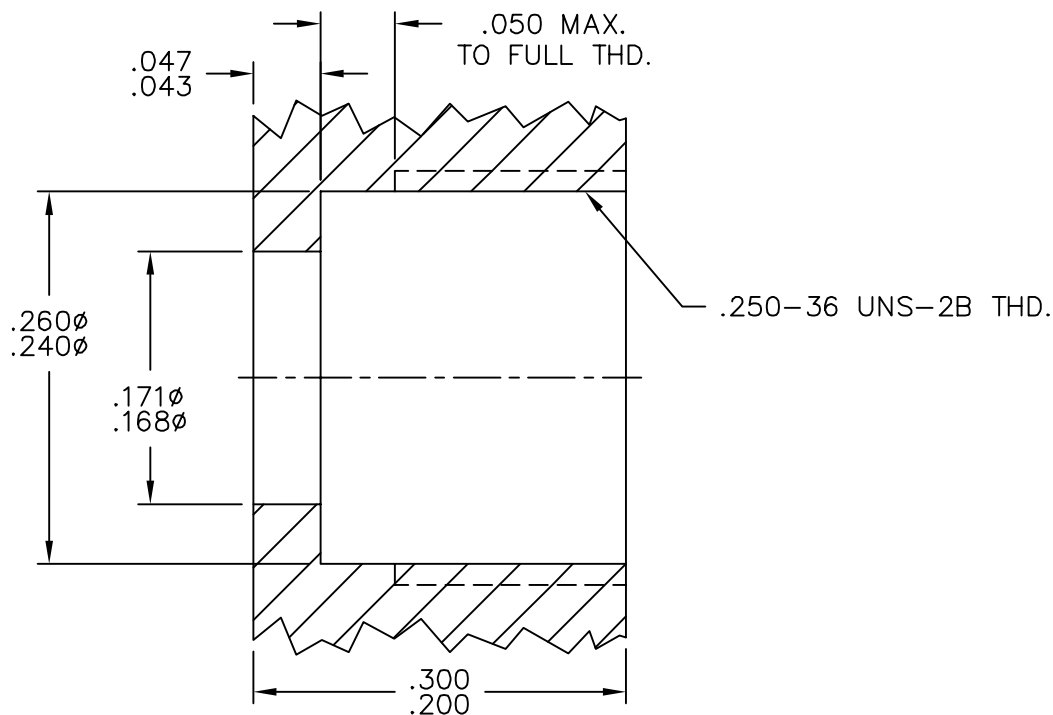
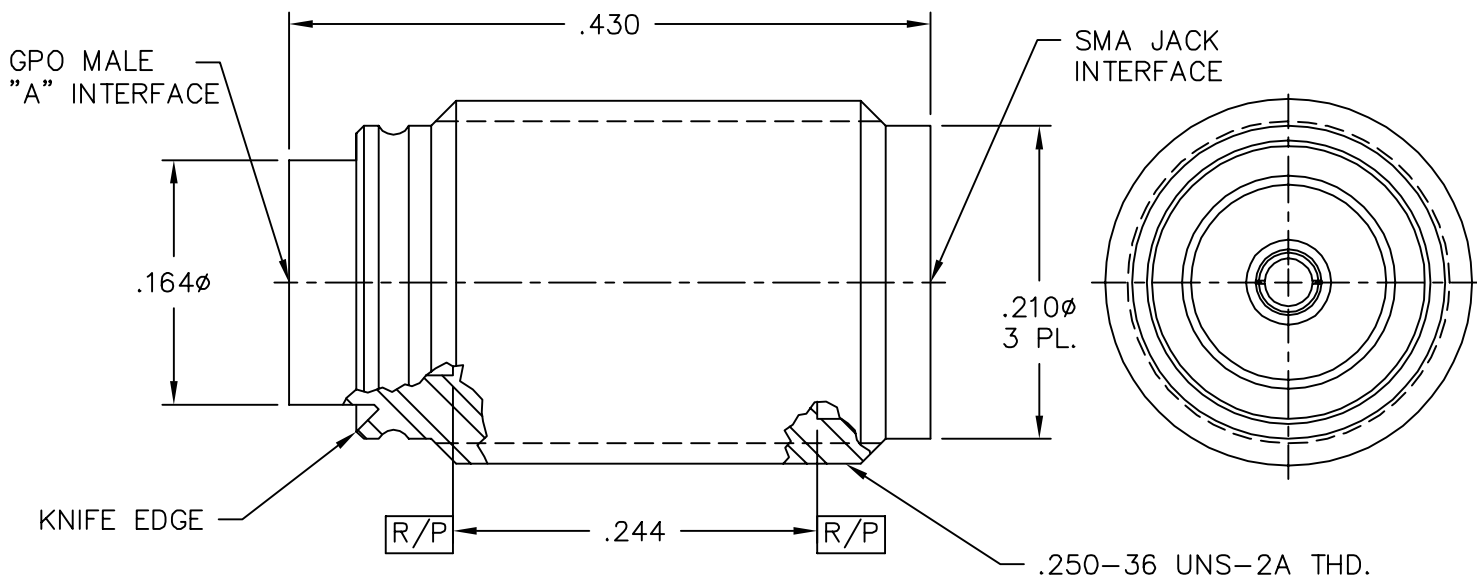
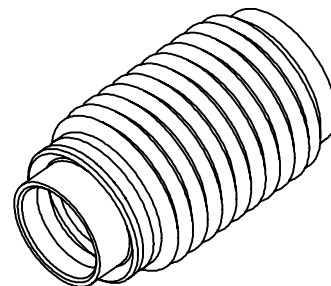


CATALOG NUMBER	"A" INTERFACE
1A3F1-0523-01	FULL DETENT
1A4F1-0523-01	LIMITED DETENT
1A5F1-0523-01	SMOOTH BORE

MATERIAL AND FINISH

HOUSING: CRES 303; PASSIVATED  
 CONTACT: BeCu; GOLD PLATE 75 MICRONS TYPICAL  
 OVER NICKEL PLATE 100 MICRONS TYPICAL  
 DIELECTRICS: VIRGIN PTFE



This drawing and any data contained herein is the property of Corning Gilbert Inc., and constitutes and contains proprietary and confidential information. Neither receipt nor possession of this drawing confers or transfers any right to duplicate, use or disclose any information contained herein except as expressly authorized by Corning Gilbert Inc.

GPO MALE TO  
 SMA JACK THREAD-IN  
 ADAPTER (TAB DETENT)

IDENT CODE:  
 82316

REVISION: D

**Corning Gilbert Inc.**

SOURCE FILE: MECR# 1897

DWG. NO.: OL-1AXF1-0523-01

ASSY. PROC.: —