

CATALOG NUMBER

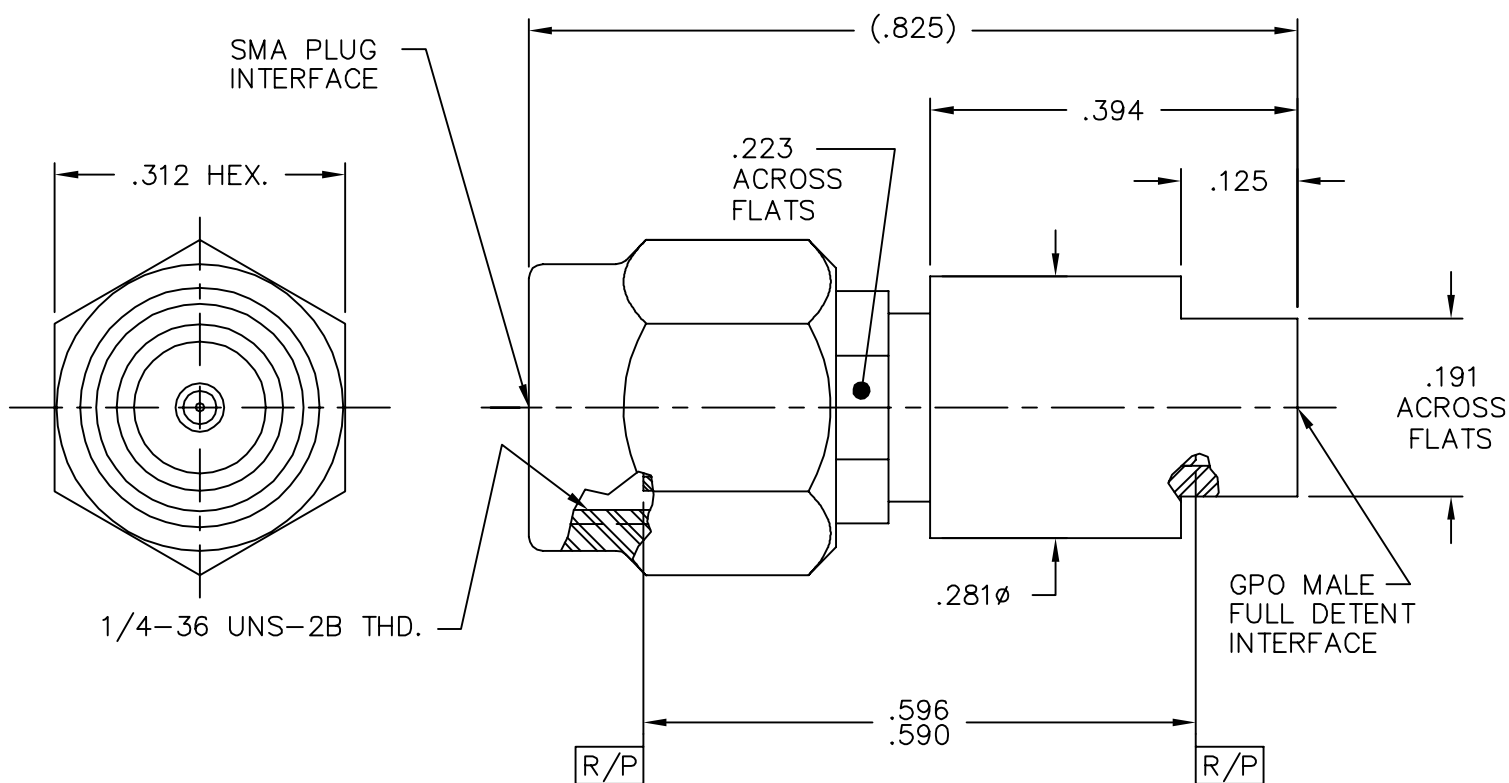
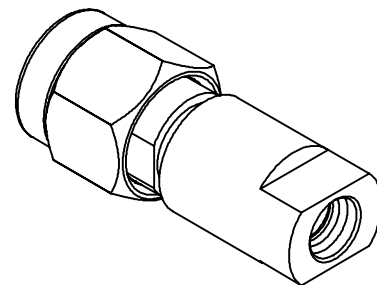
00219-210-3

MATERIAL AND FINISH

SHROUD, HOUSING AND COUPLING NUT: CRES 303; PASSIVATED

ADAPTER HOUSING AND CENTER CONTACT: BeCu; GOLD PLATE 50-100 MICRONS OVER NICKEL PLATE 50 MICRONS MIN.

DIELECTRICS: VIRGIN PTFE (TEFLON)



This drawing and any data contained herein is the property of Corning Gilbert Inc., and constitutes and contains proprietary and confidential information. Neither receipt nor possession of this drawing confers or transfers any right to duplicate, use or disclose any information contained herein except as expressly authorized by Corning Gilbert Inc.

GPO MALE FULL
DETENT TO SMA
PLUG ADAPTER

IDENT CODE:
82316

REVISION: G

Corning Gilbert Inc.

SOURCE FILE: SK-1172

DWG. NO.: OL-00219-210-3

ASSY. PROC.: -