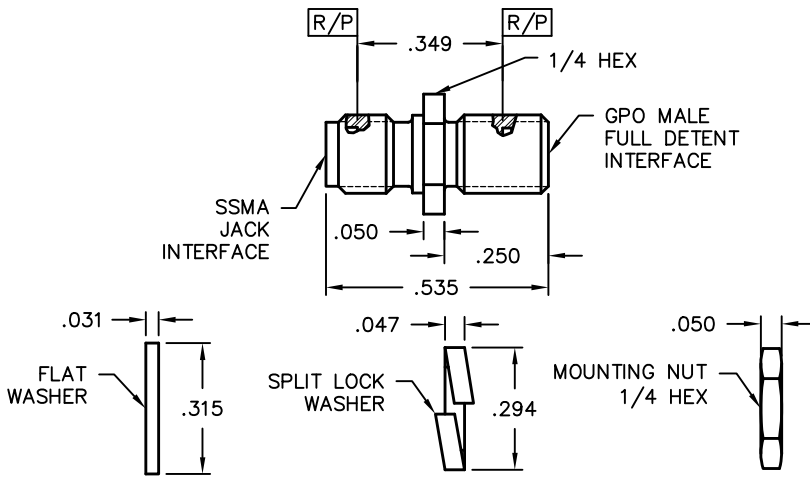


**GPO Between Series Adapters**

**GPO Male FD to SSMA Jack Thread-in Bulkhead**

**Catalog Number**  
1A3G1-0533-01

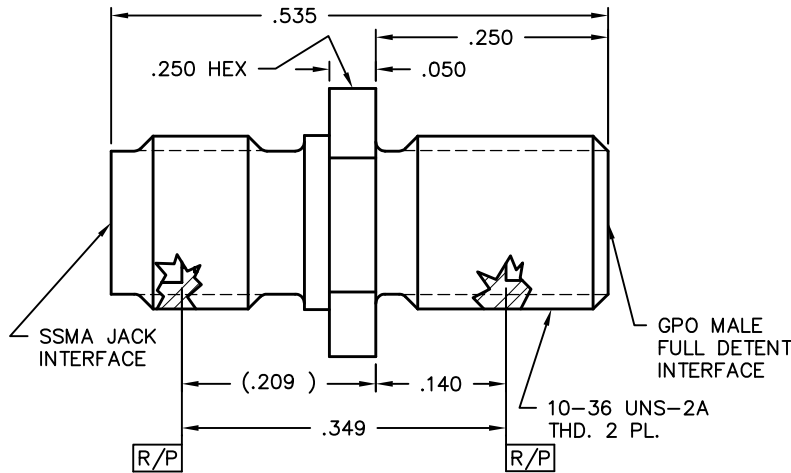
**VSWR (TYP)**  
1.20:1 to 18 GHz, 1.35:1 to 26.5 GHz



**GPO Male FD to SSMA Jack Thread-in**

**Catalog Number**  
00119-117-3

**VSWR (TYP)**  
1.20:1 to 18 GHz, 1.35:1 to 26.5 GHz



**GPO Male FD 4-Hole Flange Mount to SSMA Jack R/A**

**Catalog Number**  
00119-011-3

**VSWR (TYP)**  
1.25:1 to 18 GHz

