

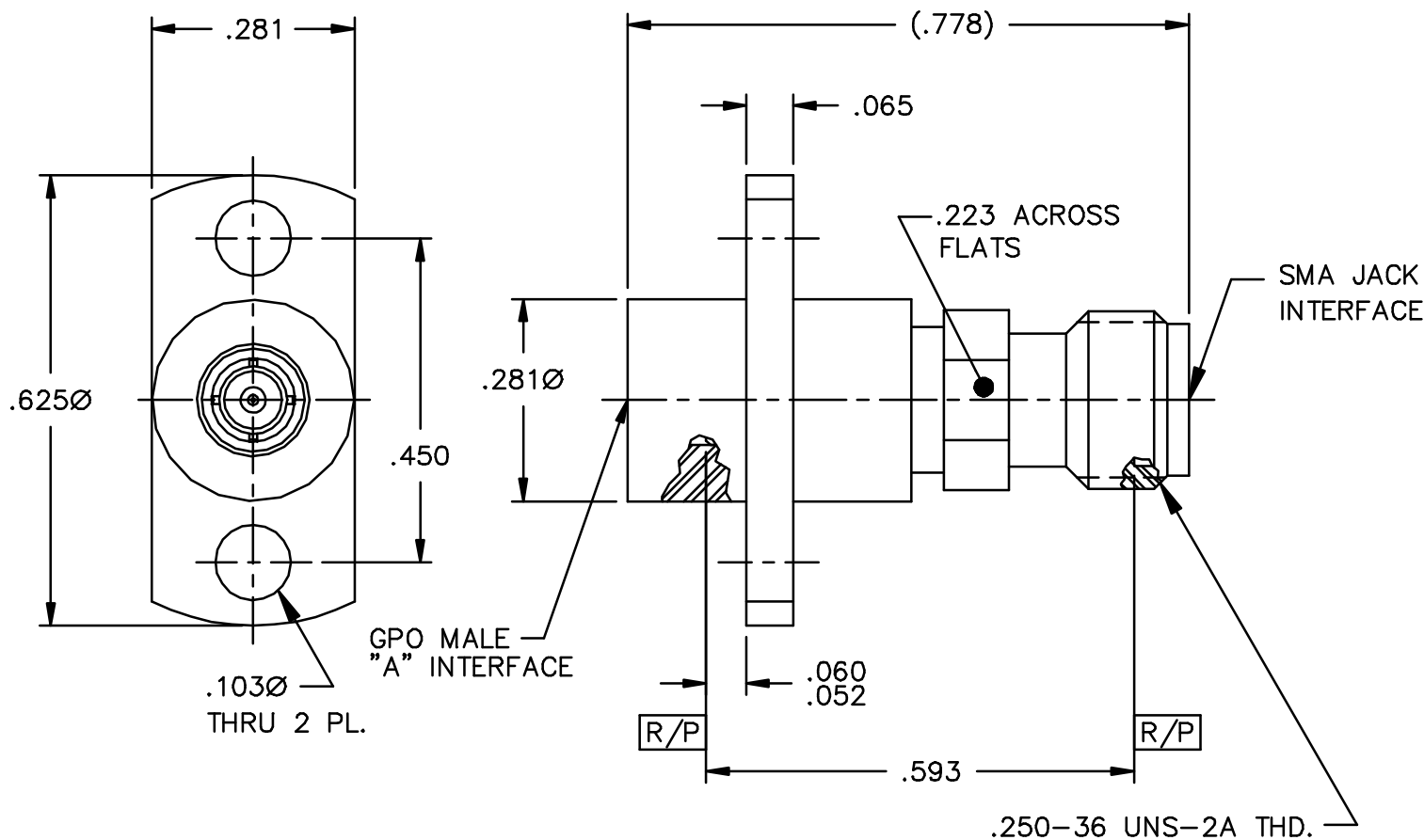
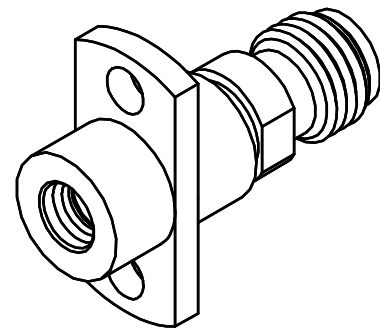
CATALOG NUMBER	"A" INTERFACE
1A3F1-0513-05	FULL DETENT
1A4F1-0513-05	LIMITED DETENT
1A5F1-0513-05	SMOOTH BORE

MATERIAL AND FINISH

GPO HOUSING AND
SMA HOUSING: CRES 303; PASSIVATED

CENTER CONTACT
AND HOUSING: BeCu; GOLD PLATE 50-100 MICRONS
OVER NICKEL PLATE 50 MICRONS MIN.

DIELECTRIC: VIRGIN PTFE



This drawing and any data contained herein is the property of Corning Gilbert Inc., and constitutes and contains proprietary and confidential information. Neither receipt nor possession of this drawing confers or transfers any right to duplicate, use or disclose any information contained herein except as expressly authorized by Corning Gilbert Inc.

GPO MALE (TAB DETENT)
2 HOLE FLANGE MOUNT
TO SMA JACK ADAPTER

IDENT CODE:
82316

REVISION: G

Corning Gilbert Inc.

SOURCE FILE: MECR# 2404

DWG. NO.: OL-1AXF1-0513-05

ASSY. PROC.: -