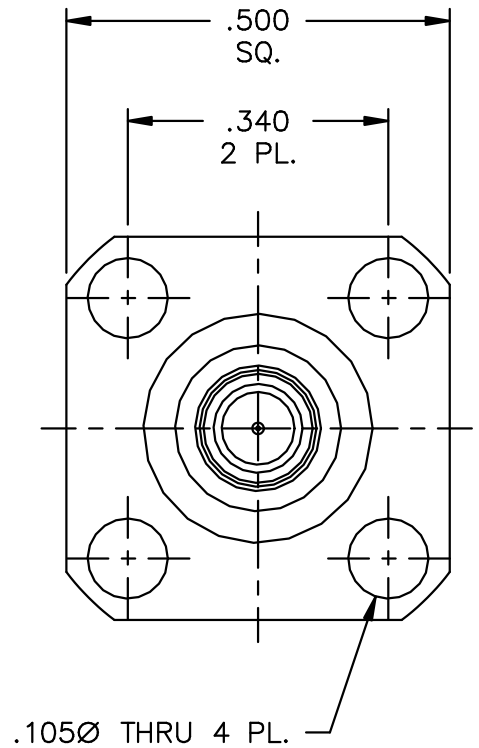
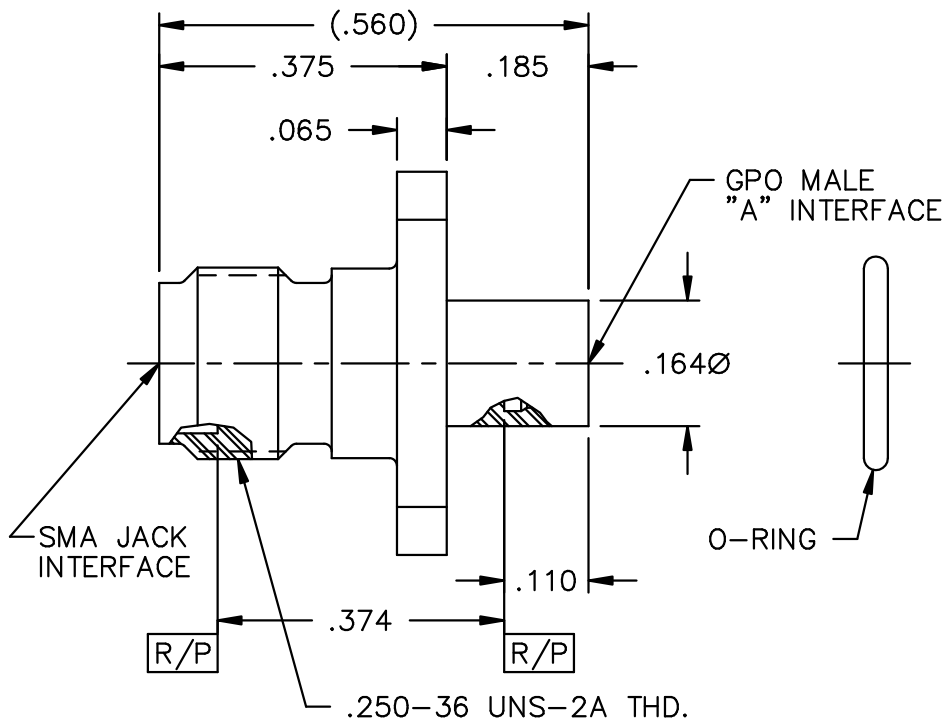
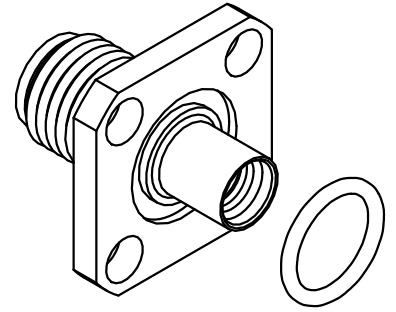


CATALOG NUMBER	"A" INTERFACE
1A3F1-0513-02	FULL DETENT
1A5F1-0513-02	SMOOTH BORE

MATERIAL AND FINISH

HOUSING: CRES 303; PASSIVATED
 CENTER CONTACT: BeCu; GOLD PLATE 75 MICROINCHES TYPICAL
 OVER NICKEL PLATE 100 MICROINCHES TYPICAL
 DIELECTRIC: VIRGIN PTFE
 O-RING: SILICONE RUBBER



This drawing and any data contained herein is the property of Corning Gilbert Inc., and constitutes and contains proprietary and confidential information. Neither receipt nor possession of this drawing confers or transfers any right to duplicate, use or disclose any information contained herein except as expressly authorized by Corning Gilbert Inc.

GPO MALE (TAB DETENT)
 TO SMA JACK 4 HOLE
 FLANGE MOUNT ADAPTER

IDENT CODE:
 82316

REVISION: D

Corning Gilbert Inc.

SOURCE FILE: MECR# 3297

DWG. NO.: OL-1AXF1-0513-02

ASSY. PROC.: -