

CATALOG NUMBER

A3A6-0539-01

MATERIAL AND FINISH

HOUSING AND BUSHING

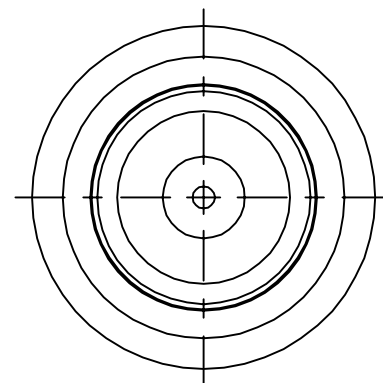
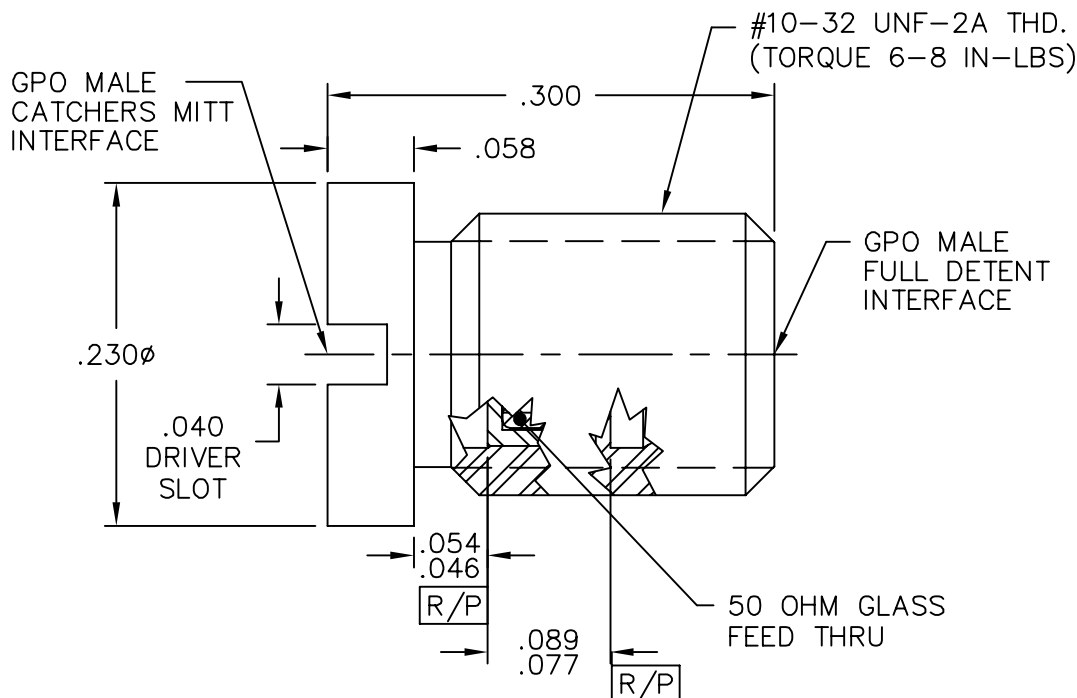
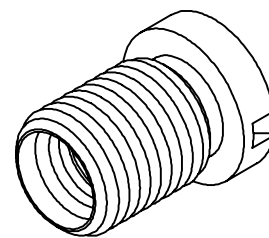
CRES 303; PASSIVATED

OUTER RING AND CENTER PIN:

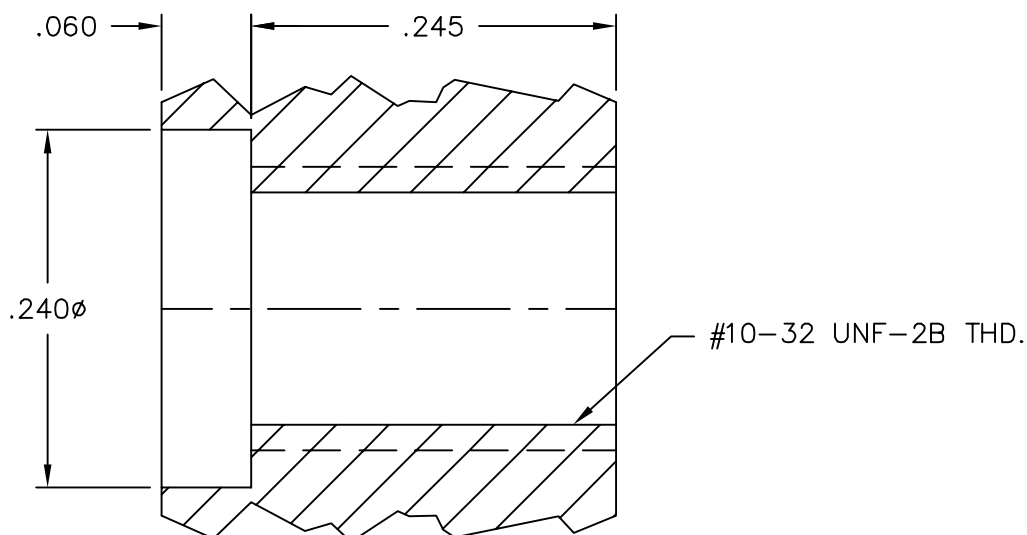
IRON-NICKEL-COBALT SEALING ALLOY (KOVAR); GOLD PLATE

DIELECTRIC:

CORNING 7070 GLASS



RECOMMENDED MOUNTING HOLE



This drawing and any data contained herein is the property of Corning Gilbert Inc., and constitutes and contains proprietary and confidential information. Neither receipt nor possession of this drawing confers or transfers any right to duplicate, use or disclose any information contained herein except as expressly authorized by Corning Gilbert Inc.

GPO MALE CATCHERS MITT TO
GPO MALE FULL DETENT THREAD-IN
ADAPTER (NON-HERMETIC)

IDENT CODE:
82316

REVISION: K

Corning Gilbert Inc.

SOURCE FILE: MECR# 2844

DWG. NO.: OL-A3A6-0539-01

ASSY. PROC.: -