

CATALOG NUMBER

1B1A3-0541-01

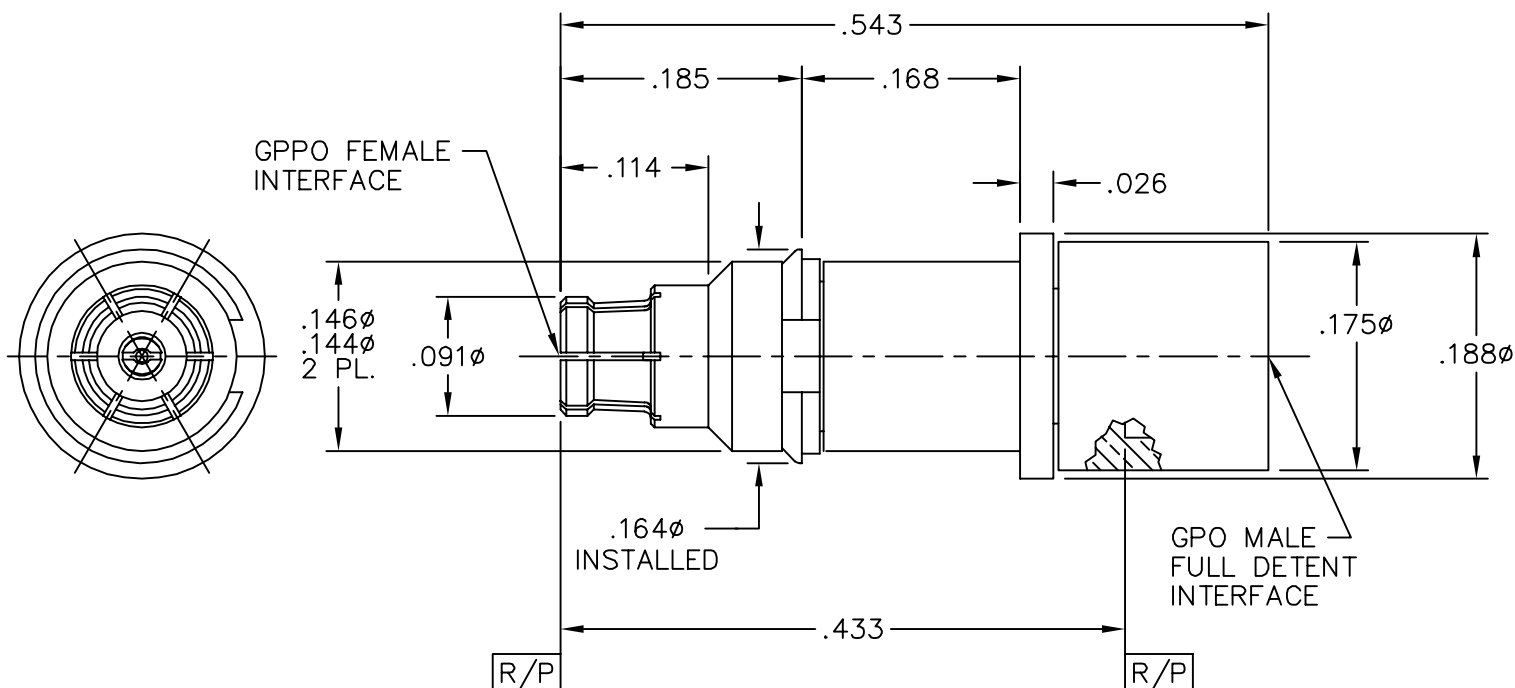
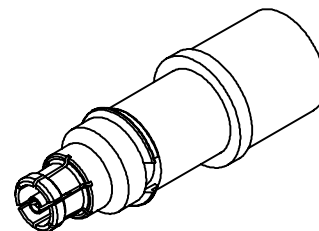
MATERIAL AND FINISH

CENTER CONTACT,  
GPO HOUSING, AND  
GPPO HOUSING:

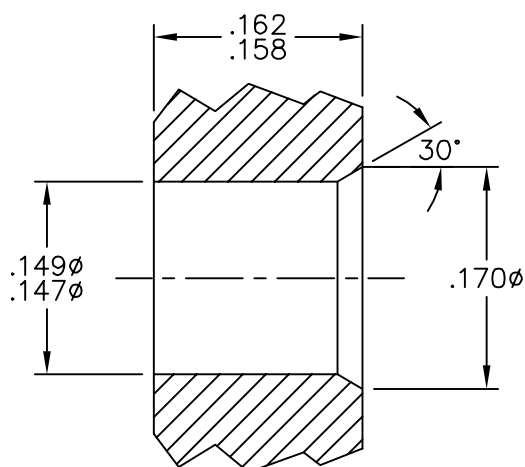
BeCu; GOLD PLATE 50-100 MICRONS  
OVER NICKEL PLATE 50 MICRONS MIN.

DIELECTRICS:  
SNAP RING:

VIRGIN PTFE (TEFLON)  
BeCu; BRIGHT ALLOY PLATE



RECOMMENDED  
MOUNTING HOLE



This drawing and any data contained herein is the property of Corning Gilbert Inc., and constitutes and contains proprietary and confidential information. Neither receipt nor possession of this drawing confers or transfers any right to duplicate, use or disclose any information contained herein except as expressly authorized by Corning Gilbert Inc.

GPPO FEMALE SNAP-IN  
BULKHEAD MOUNT TO GPO  
MALE FULL DETENT ADAPTER

IDENT CODE:

82316

REVISION: A

Corning Gilbert Inc.

SOURCE FILE: SK-2156

DWG. NO.: OL-1B1A3-0541-01

ASSY. PROC.: -