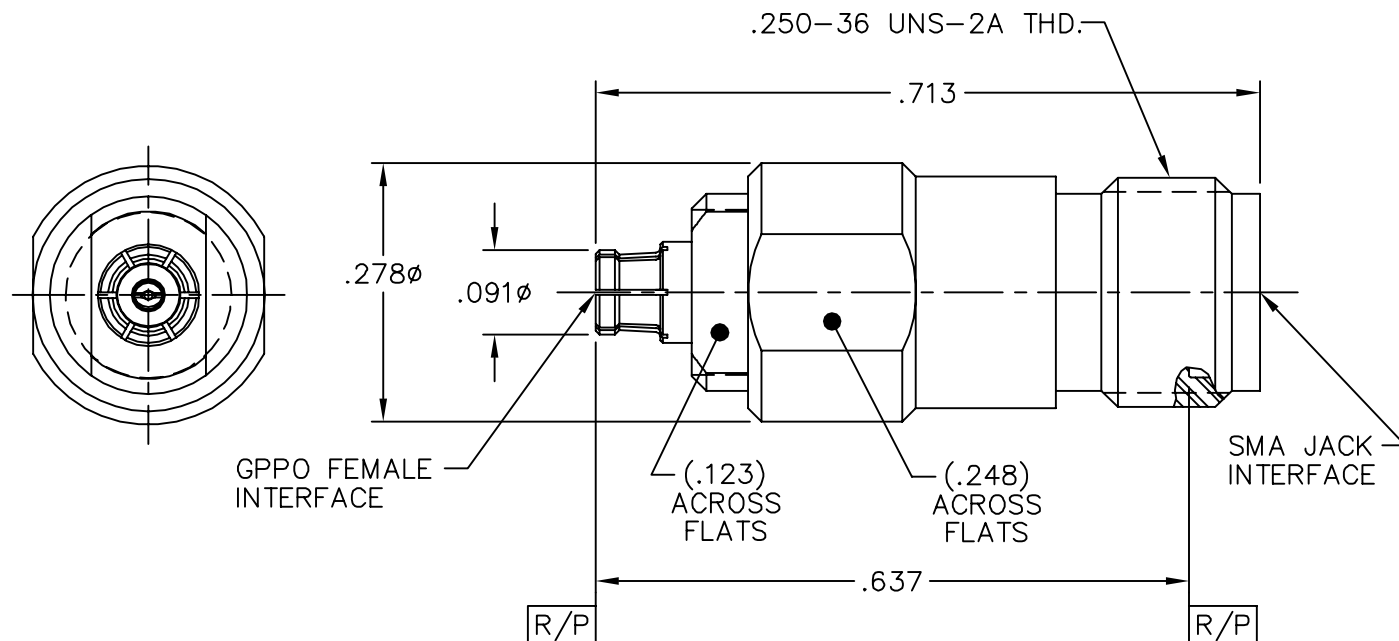
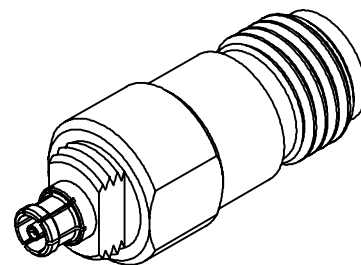


CATALOG NUMBER

1B1F1-0503-01

MATERIAL AND FINISH

JACK HOUSING: CRES 303; PASSIVATED
 GPPO HOUSING AND CENTER CONTACT: BeCu; GOLD PLATE 50-100 MICROINCHES OVER NICKEL PLATE 50 MICROINCHES MIN.
 DIELECTRICS: VIRGIN PTFE



This drawing and any data contained herein is the property of Corning Gilbert Inc., and constitutes and contains proprietary and confidential information. Neither receipt nor possession of this drawing confers or transfers any right to duplicate, use or disclose any information contained herein except as expressly authorized by Corning Gilbert Inc.

GPPO FEMALE TO
SMA JACK ADAPTER

IDENT CODE:

82316

REVISION: F

Corning Gilbert Inc.

SOURCE FILE: MECR# 2783

DWG. NO.: OL-1B1F1-0503-01

ASSY. PROC.: -