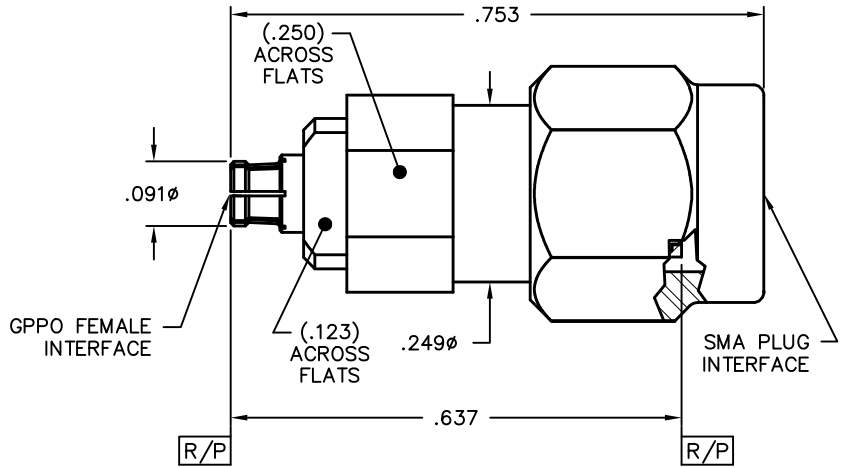


GPPO Between Series Adapters

GPPO Female to SMA Plug

Catalog Number
1B1F2-0503-01

VSWR (TYP)
1.20:1 to 26.5 GHz



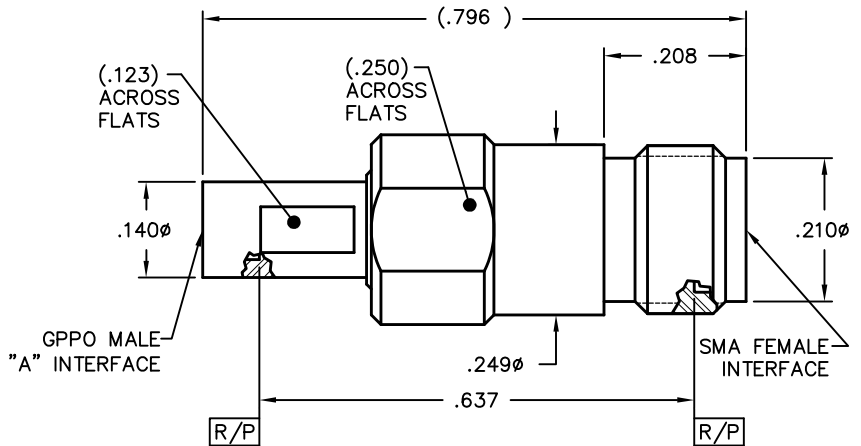
GPPO Male to SMA Jack

Catalog Number A

1B3F1-0503-01 FD

1B5F1-0503-01 SB

VSWR (TYP)
1.10:1 to 12 GHz, 1.20:1 to 26.5 GHz



GPPO Male to SMA Plug

Catalog Number A

1B3F2-0503-01 FD

1B5F2-0503-01 SB

VSWR (TYP)
1.15:1 to 18 GHz, 1.25:1 to 26.5 GHz.

