

GPPO Between Series Adapters

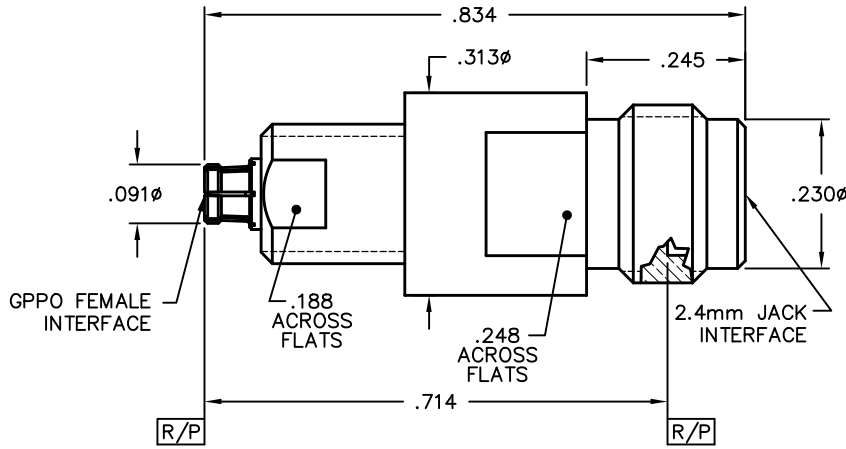
GPPO Female to 2.4mm Jack

Catalog Number

1B1C1-0501-01

VSWR (TYP)

1.10:1 to 18 GHz, 1.20:1 to 40 GHz



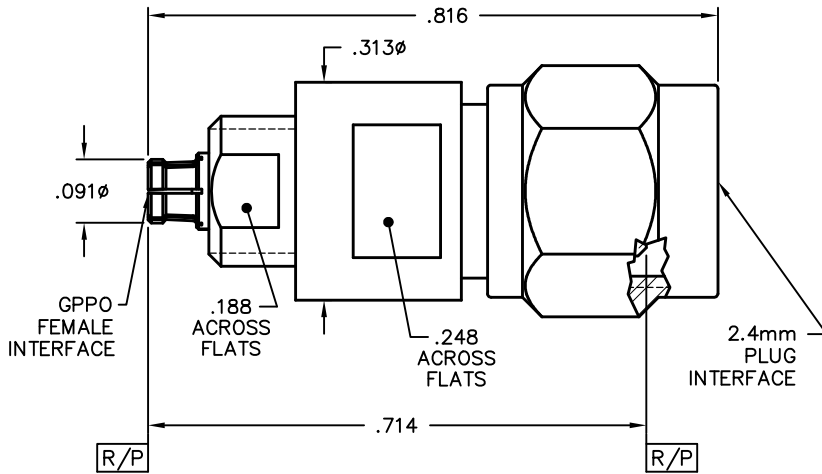
GPPO Female to 2.4mm Plug

Catalog Number

1B1C2-0501-01

VSWR (TYP)

1.20:1 to 26.5 GHz, 1.30:1 to 40 GHz



GPPO Male to 2.4mm Plug

Catalog Number A

1B3C2-0503-01 FD

1B5C2-0503-01 SB

VSWR (TYP)

1.20:1 to 26.5 GHz, 1.30:1 to 40 GHz

