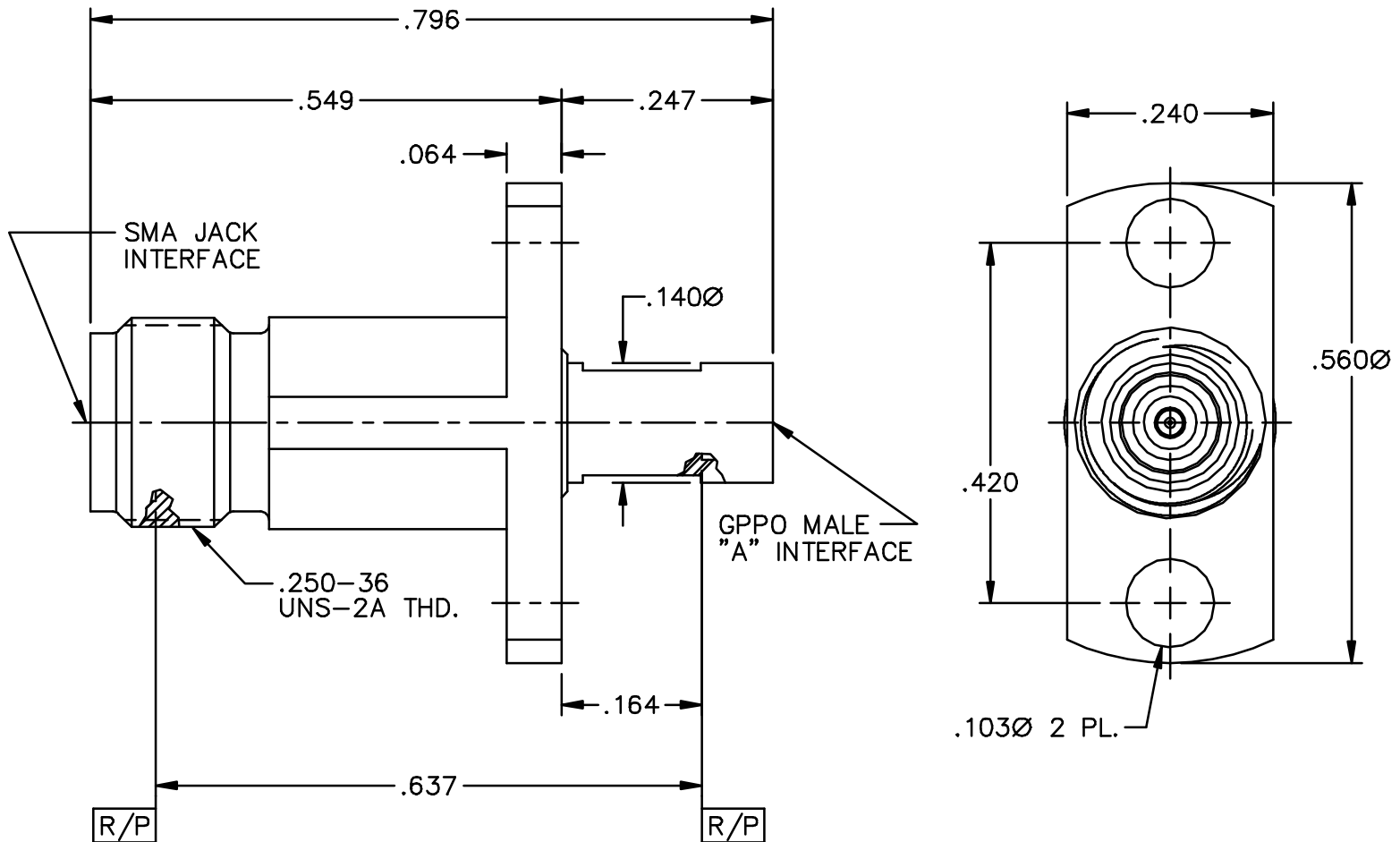
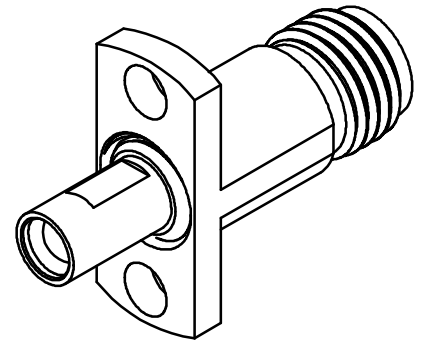


PROTOTYPE NUMBER	"A" INTERFACE
SK-3856-FD	FULL DETENT
SK-3856-SB	SMOOTH BORE

MATERIAL AND FINISH

HOUSING: CRES 303; PASSIVATED
 CENTER CONTACT: BeCu; GOLD PLATE 75 MICROINCHES TYPICAL
 OVER NICKEL PLATE 100 MICROINCHES TYPICAL
 DIELECTRICS: VIRGIN PTFE



This drawing and any data contained herein is the property of Corning Gilbert Inc., and constitutes and contains proprietary and confidential information. Neither receipt nor possession of this drawing confers or transfers any right to duplicate, use or disclose any information contained herein except as expressly authorized by Corning Gilbert Inc.

SMA JACK TO GPPO MALE
 2 HOLE FLANGE MOUNT
 (TABULATED DETENT)

IDENT CODE:
 82316

REVISION: 01

SIMILIAR TO 1B5F1-0503-01

Corning Gilbert Inc.

SOURCE FILE: SK-3856

DWG. NO.: OL-SK-3856-TAB

ASSY. PROC.: -