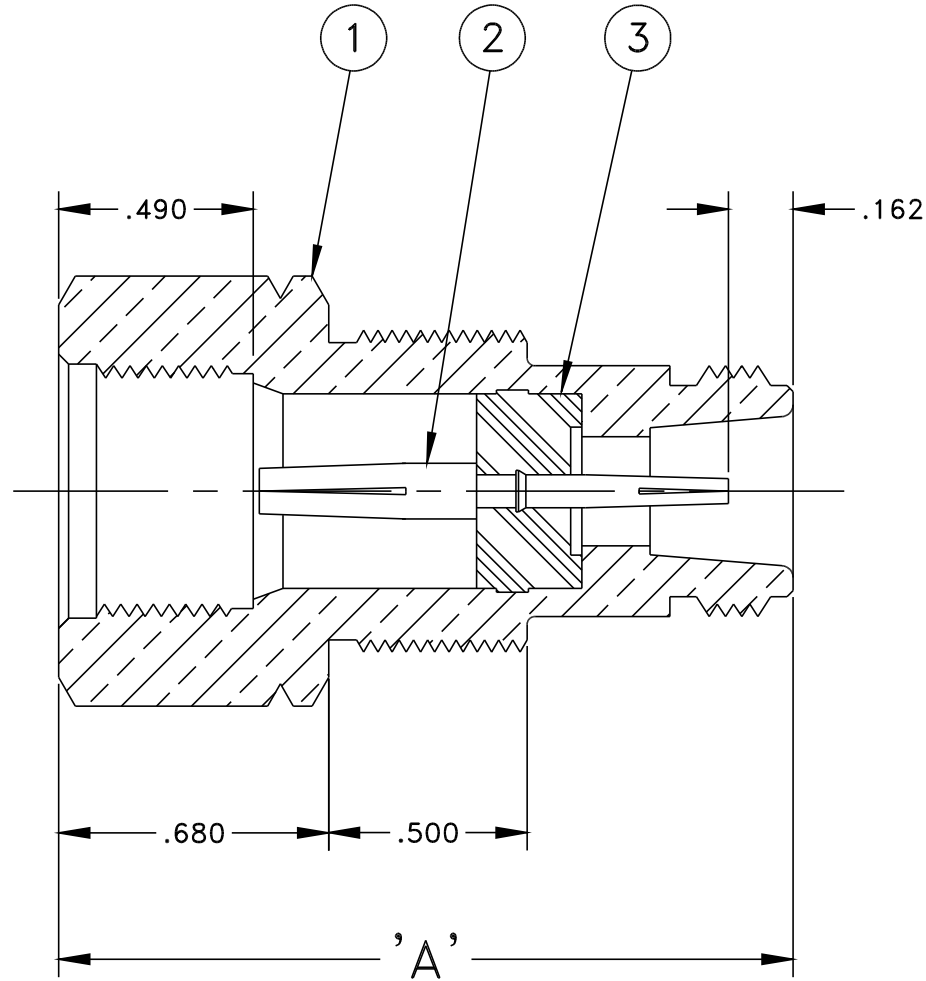
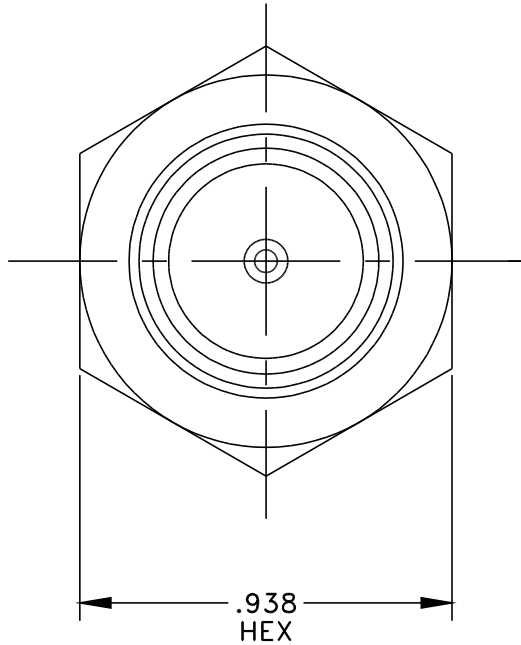


THIS DOCUMENT CONTAINS PROPRIETARY INFORMATION
& MAY NOT BE REPRODUCED OR DISCLOSED TO OTHERS
WITHOUT WRITTEN CONSENT FROM CONNECTRONICS, INC.

DASH #	BODY FINISH	CONTACT FINISH	'A'
-1	NICKEL	SILVER	1.850
-2	NICKEL	SILVER	2.150



REVISIONS
-A- ECN3067 ADDED -2, CHARTED A. RLC 6/19/02
-B- ECN3096 RECESSED CONTACT BELOW .490 DIMENSION. 7/23/02 RLC

CONNECTRONICS, INC.
EDINBURGH, INDIANA

FSCM 43608
TOLERANCES UNLESS OTHERWISE SPECIFIED
2 PL DEC $\pm .020$
3 PL DEC $\pm .005$
ANG. DIM $\pm 1/2^\circ$
DRAWING NO. 60-902 SHT 1 OF 1

DWG BY: RLC	DATE: 7/23/01
APVD BY:	SCALE:
MATERIAL: _____	
FINISH: _____	
DESCRIPTION: 75 OHM ADAPTOR, N JACK TO STANDARD K	